

AO-Mini-E-1064/500mW/10uJ

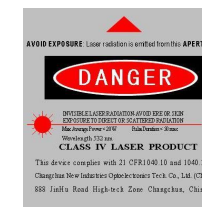
**LD PUMPED ALL-SOLID-STATE
AOM Q-SWITCHED LASER**

All solid state AOM Q-switched laser at 1064nm has the features of high peak power, high repetition rate, and short pulse duration, which is used in laser inner carver, laser marking, scientific research and so on.

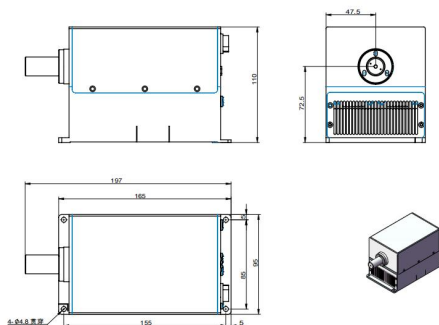


SPECIFICATIONS

Wavelength (nm)	1064±1
Operating mode	Acousto-Optic Q-switched
Average power (mW)	500mW@50K
	Average power (W) = Single pulse energy (mJ) * Rep. rate (kHz)
Single pulse energy (μJ)	> 10@50KHz
Rep. rate (kHz)	20~200
Pulse duration (ns)	~20
Ave power stability (over 4 hours)	<5%, <3%, <1%
Transverse mode	TEM00
Beam divergence, full angle (mrad)	< 3
Beam diameter at the aperture (1/e ² , mm)	~0.7
Beam quality (M ²)	<1.2
Warm-up time (minutes)	<10
Beam height from base plate (mm)	72.5mm (heat sink included)
Cooled method	Air Cooled
Operating temperature (°C)	10~35
Supply Voltage	DC 24V/13A (PSU-24/ PSU-24-P optional)

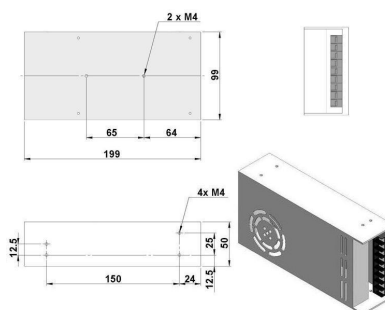


AO-Mini-E-1064 *Integrated electronics*
(heat sink included)



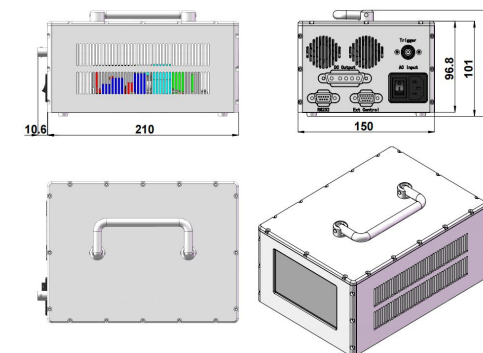
197 (L) × 95 (W) × 110 (H) mm³, 2.2 kg

PSU-24^① (Power supply 100-240VAC)



DC24V 13A; 199 (L) × 99 (W) × 50 (H) mm³, 1 kg

PSU-24-P^② (Power supply 100-240VAC)



220.6 (L) × 150 (W) × 112.5 (H) mm³, 2.75 kg

Note:

- ① Adaptor for 24V/13A.
- ② Adaptor for 24V/13A, and power control function is included.