



FL-1120-CW/1~20W

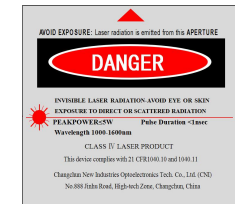
HIGH POWER ALL FIBER CW LASER

High Power all fiber CW laser at 1120nm is made features of ultra compact, long lifetime, low cost and easy operating, which is widely used in biomedicine, spectroscopy, laser sintering, laser microprocessing, laser sensing, Raman laser pumping source, etc.

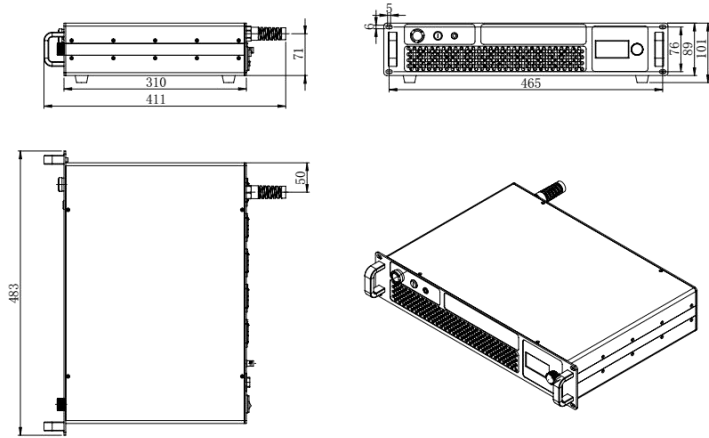


SPECIFICATIONS

| | | | | |
|-------------------------------------|---|-----|-----|-----|
| Wavelength (nm) | 1120±1 | | | |
| Operating mode | CW | | | |
| Output power (W) | 5W | 10W | 15W | 20W |
| Power stability (rms, over 4 hours) | <0.5%, <1% | | | |
| Line width(nm) | <2nm | | | |
| M ² factor | <1.3 | | | |
| Output Fiber termination | FC/APC(single mode:10um) or Collimator(4~6mm) | | | |
| Polarization ratio | Random | | | |
| Cooled method | Air cooled | | | |
| Warm-up time (minutes) | <15 | | | |
| Delivery cable length (m) | variable | | | |
| Operating temperature (°C) | 15~35 | | | |
| Power supply | AC 220V | | | |
| Expected lifetime (hours) | 10000 | | | |
| Warranty | 1 year | | | |



FL-1120-CW



411(L)×483(W)×101(H) mm³, 5kg

