



GLP-447/0.6-5mW

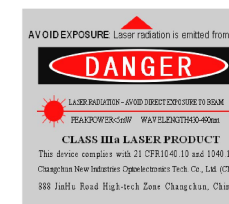
**BLUE LASER POINTER
AT 447 nm**

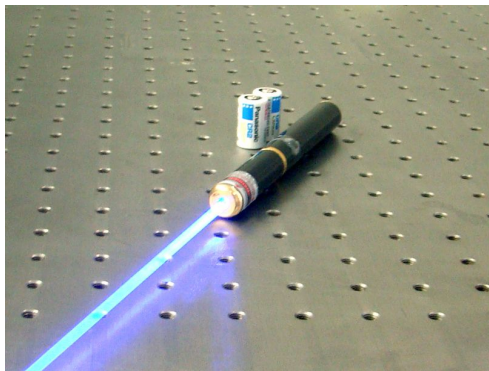


GLP-447 is the first blue laser pointer in the world. It is novel, unique and amazing.



SPECIFICATIONS

Wavelength (nm)	447±10		
Operating mode	CW		
Output power (mW)	0.6~1	1~3	3~5
Transverse mode	Near TEM00		
Beam diameter at the aperture (1/e ² , mm)	~5.0		
Beam divergence, full angle (mrad)	<1.5		
Operating temperature (°C)	0~40		
Switch	Push button		
Surface color	Black		
Power Consumption	DC 6V		
Power supply	2×CR2 3V lithium battery		
Expected lifetime (hours)	5000		
Warranty	6 months		



GLP-447	Dimensions	Accessory
 <p>Φ16.5×150(L) mm³, 0.1 kg</p>		 <p>CR2 lithium battery (2pcs)</p>