



GLP-532/0.6~5mW

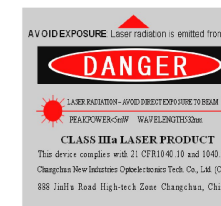
**GREEN LASER POINTER  
AT 532nm**

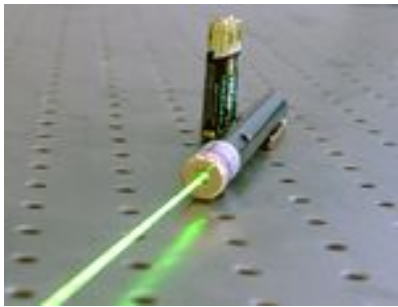
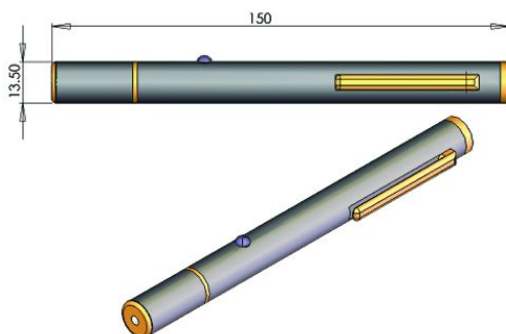

GLP-532 is noticeable and the green beam itself can be seen in mid-air in dark conditions, not just a laser beam dot. In addition, it is FDA approved.



**SPECIFICATIONS**

Wavelength (nm)	532±1		
Operating mode	CW		
Output power (mW)	0.6~1	1~3	3~5
Transverse mode	TEM <sub>00</sub>		
Beam diameter at the aperture (1/e <sup>2</sup> , mm)	~1.5		
Beam divergence, full angle (mrad)	<1.5		
Switch	Push button		
Surface color	Black		
Power Consumption	DC 3V		
Power supply	2×AAA 1.5V Alkaline batteries		
Expected lifetime (hours)	5000		
Warranty	6 months		
Remark	LED indicator, key switch and logo engraving are on your request.		



GLP-532	Dimensions	Accessory
 <p>Φ13.5×150(L) mm<sup>3</sup>, 0.055 kg</p>		 <p>2×AAA/1.5V batteries</p>