



GLP-593.5/0.6~2mW

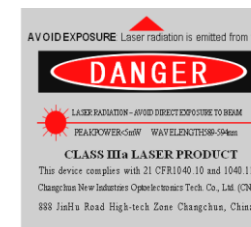
**ORANGE LASER POINTER
AT 593.5nm**


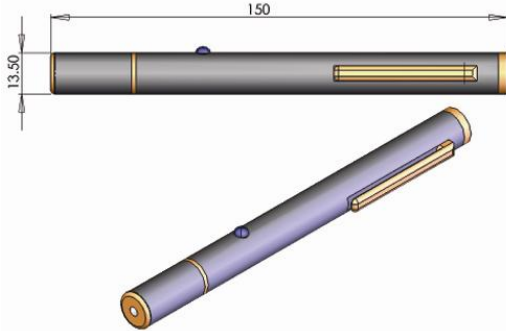

GLP-593.5 is the first orange laser pointer in the world. It is novel, unique and amazing.



SPECIFICATIONS

Wavelength (nm)	593.5±1
Operating mode	CW
Output power (mW)	<2
Transverse mode	TEM ₀₀
Beam diameter at the aperture (1/e ² , mm)	~1.5
Beam divergence, full angle (mrad)	<1.5
Switch	Push button
Surface color	Black
Power Consumption	DC 3V
Power supply	2×AAA 1.5V Alkaline batteries
Expected lifetime (hours)	5000
Warranty	6 months
Remark	LED indicator, key switch and logo engraving are on request.



GLP-593.5	Dimensions	Accessory
 <p>Φ13.5×150(L) mm², 0.055 kg</p>		 <p>2×AAA/1.5V batteries</p>