



LDM-1470-15

Typical Device Performance (25°C)

Optical	Unit	Typical Value
CW Output Power	W	15
Center Wavelength	nm	1470±10
Wavelength Shift with Temperature	nm / °C	0.35
Electrical		
Threshold Current	A	0.7
Operating Current	A	10
Operating Voltage	V	8.2
Slope Efficiency	W / A	1.6
Power Conversion Efficiency	%	18
Aiming Laser*		
CW Output Power	mW	>2
Center Wavelength	nm	650±10
Operating Current	mA	<30
Operating Voltage	V	~2.2
Fiber**		
Fiber Core Diameter	μm	200
Fiber Cladding Diameter	μm	220
Fiber Buffer Diameter	μm	500
Numerical Aperture	-	0.22
Fiber Length	m	1.0
Fiber Connector	-	SMA905

* Customized fiber and connector available.

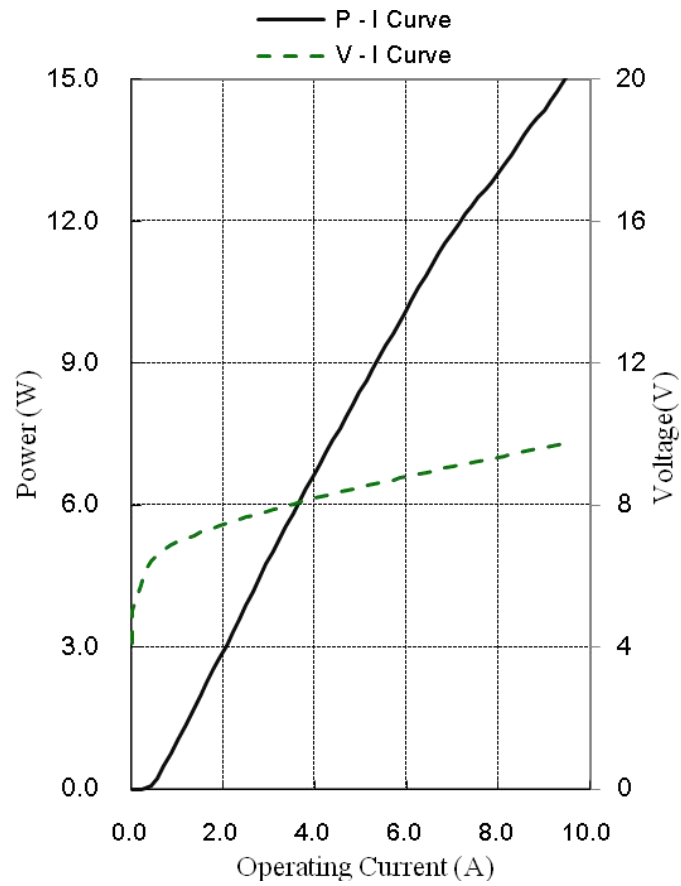
Absolute Ratings

	Unit	Min	Max
Operating Temperature	°C	10	40
Operating Relative Humidity	%	-	75
Storage Temperature	°C	-20	80
Storage Relative Humidity	%	-	90
Lead Soldering Temperature, 10s max	°C	-	250

Addr: No.888 Jinhua Road High-tech Zone, Changchun 130103, P.R.China

Contact: sales@cnilaser.com International Tel: +86-431-85603799 Fax: +86-431-87020258

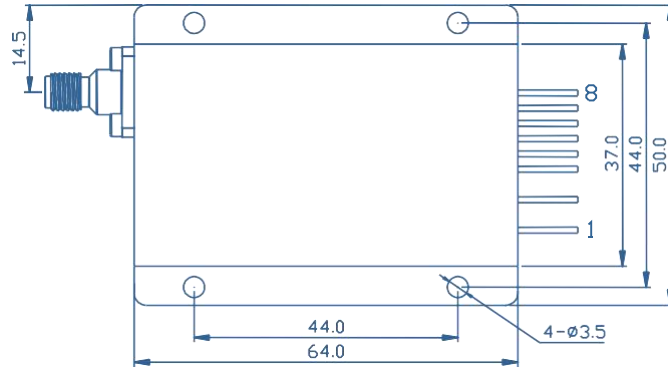
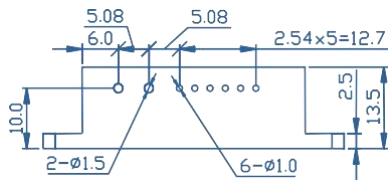
Characteristics of 1470nm-15W laser diode module (25°C)



Addr: No.888 Jinhua Road High-tech Zone, Changchun 130103, P.R.China

Contact: sales@cnlaser.com International Tel: +86-431-85603799 Fax: +86-431-87020258

Package Dimensions (mm)



Pin-Out	Assignment
Pin	Function
1	LD (+)
2	LD (-)
3	PD (N)
4	PD (P)
5	Thermistor
6	Thermistor
7	Aiming Beam (+)
8	Aiming Beam (-)



Addr: No.888 Jinhua Road High-tech Zone, Changchun 130103, P.R.China

Contact: sales@cnlaser.com International Tel: +86-431-85603799 Fax: +86-431-87020258