

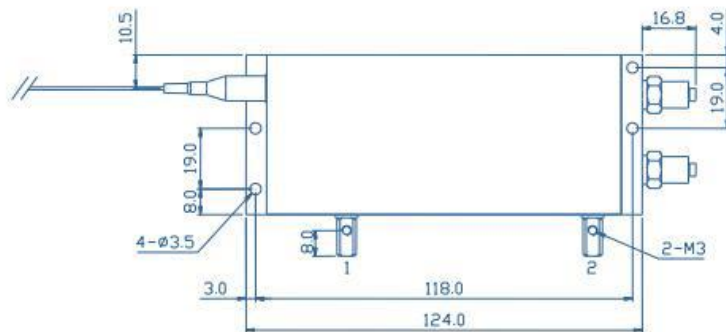
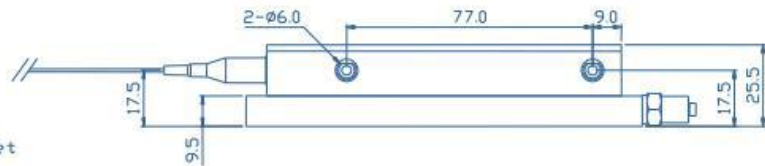
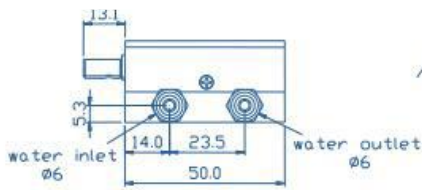
Characteristics
Output Power: 100W
Wavelength: 808nm
Fiber Core Diameter: 400μm
Numerical Aperture: 0.22
Applications
Laser Scalpel
Hair Removal
Dental Treatment

Parameter		Symbol	Typical	Unit
Optical	CW Out Power	P_{op}	100	W
	Center Wavelength	λ	808±10	nm
	Spectral Width (90% of Power)	$\Delta \lambda$	<6.0	nm
	Wavelength Shift with Temperature	$\Delta \lambda / \Delta T$	0.3	nm / °C
Electrical	Threshold Current	I_{th}	1.8	A
	Operating current	I_{op}	10.8	A
	Operating Voltage	V_{op}	21.8	V
	Slope Efficiency	η	11.1	W/A
	Power Conversion Efficiency	η_{ep}	42	%
Fiber	Core Diameter	d_{core}	400	μm
	Cladding Diameter	d_{clad}	440	μm
	Buffer Diameter	d_{buffer}	700	μm
	Numerical Aperture	NA	0.22	-
	Fiber Length	L	1.0	m
	Connector	-	SMA905	-
Accessories	Aiming Laser(650nm)	-	None	-
	Monitor Photodiode	-	None	-

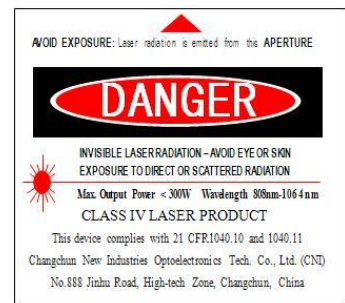
Other Parameters

Parameter	Operating Temperature/°C	Operating Relative Humidity/%	Storage Temperature/°C	Storage Relative Humidity/%	Lead Soldering Temperature, 10s max/°C
Min	10	-	-20	-	-
Max	40	75	80	90	250

C2 Package Dimensions (mm)



Pin	Function
1	LD (+)
2	LD (-)



Changchun New Industries Optoelectronics Tech. Co., Ltd

<http://www.cnilaser.com>

◆ CONTACT

No.888, Jinhua Road, High-tech Zone, Changchun 130103, China

Phone: +86-431-87033597

Fax: +86-431-87033597