

| Characteristics |
|--|
| Output Power 30W |
| Wavelength: 915nm |
| Fiber Coupling 105μm |
| Fiber Core Dia. 0.22NA |
| Fiber laser feedback protection |
| Applications |
| Fiber laser pumping, Medical use, Material processing |

| Parameter | | Symbol | Typical | Unit |
|------------|------------------------------------|--------------------------|---------|---------|
| Optical | CW Out Power | P_{op} | 30 | W |
| | Center Wavelength | λ | 915±10 | nm |
| | Spectral Width (90% of Power) | $\Delta\lambda$ | <6.0 | nm |
| | Wavelength Shift width Temperature | $\Delta\lambda/\Delta T$ | 0.3 | nm / °C |
| Electrical | Threshold Current | I_{th} | 0.7 | A |
| | Operating current | I_{op} | 11.7 | A |
| | Operating Voltage | V_{op} | 5.4 | V |
| | Slop Efficiency | η_{es} | 2.7 | W / A |
| | Power Conversion Efficiency | η_{ep} | 49 | % |
| Fiber | Fiber Core Diameter | d_{core} | 105 | μm |
| | Fiber Cladding Diameter | d_{clad} | 125 | μm |
| | Numerical Aperture | NA | 0.22 | - |
| | Connector | - | SMA905 | - |

Changchun New Industries Optoelectronics Tech. Co., Ltd

<http://www.cnilaser.com>

◆ CONTACT

No.888, Jinhua Road, High-tech zone, Changchun
130103, China

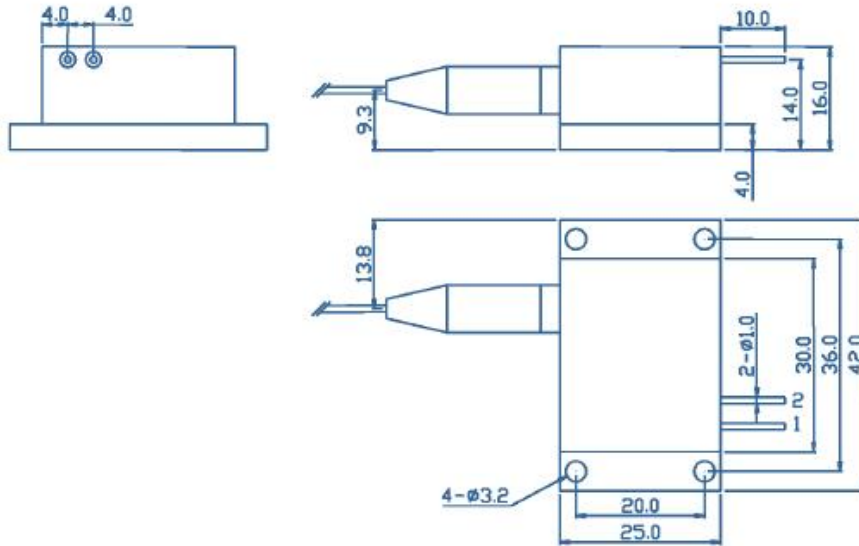
Phone: 0086-431-87033597

Fax: 0086-431-87033597

Other Parameters

| Parameter | Operating Temperature/°C | Operating Relative Humidity/% | Storage Temperature/°C | Storage Relative Humidity/% | Lead Soldering Temperature, 10s max/°C |
|-----------|--------------------------|-------------------------------|------------------------|-----------------------------|--|
| Min | 10 | - | -20 | - | - |
| Max | 40 | 75 | 80 | 90 | 250 |

Package Dimensions (mm)



| Pins and Functions | | | |
|--------------------|----------|-----|----------|
| Pin | Function | Pin | Function |
| 1 | LD(+) | 2 | LD(-) |



Changchun New Industries Optoelectronics Tech. Co., Ltd
<http://www.cnilaser.com>

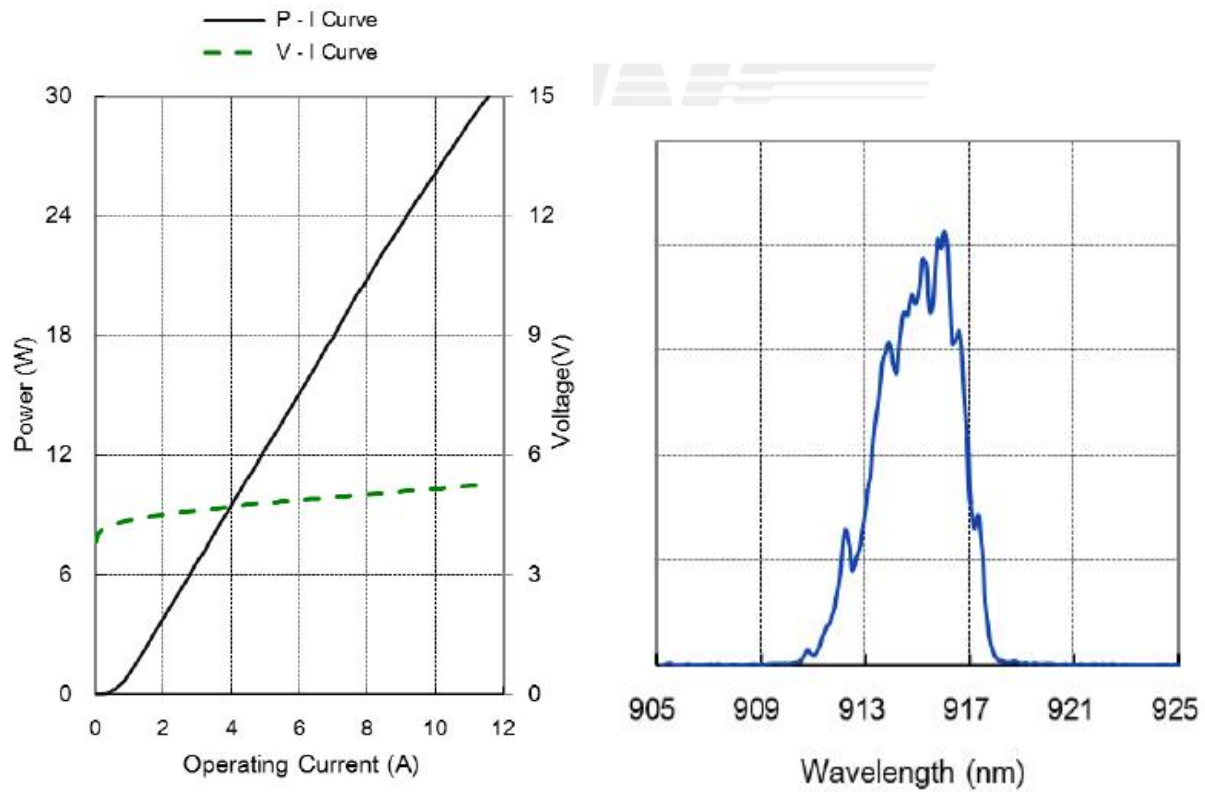
◆ CONTACT

No.888, Jinhu Road, High-tech zone, Changchun
130103, China

Phone: 0086-431-87033597

Fax: 0086-431-87033597

915nm Diode Laser Characteristics (25°C)



Changchun New Industries Optoelectronics Tech. Co., Ltd

<http://www.cnilaser.com>

◆ CONTACT

No.888, Jinhu Road, High-tech zone, Changchun
130103, China

Phone: 0086-431-87033597

Fax: 0086-431-87033597