



MDL-C-780/1-50mW



**LONG COHERENT LENGTH  
DIODE LASER AT 780nm**

It features a long coherent length, stable wavelength, long lifetime and easy operation. They are widely used in holography, interference, fluorescence, photoetching, flow cytometry, DNA sequencing, Raman spectroscopy, Laser radar, precision measurement, etc.

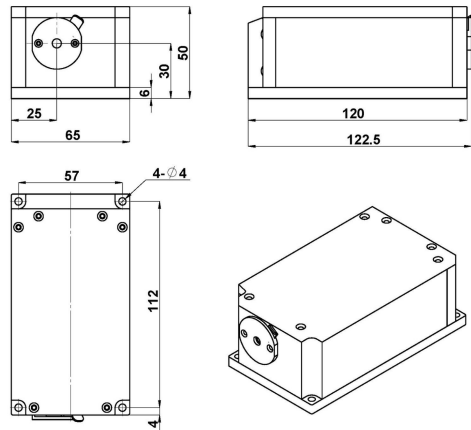


SPECIFICATIONS

Central wavelength (nm)	780±6
Operating mode	CW
Output power (mW) <sup>1</sup>	1-50
Power stability (rms, 4 hours ± 3°C)	<3%, <2%, <1%
Frequency shift (pm) (over ±2°C and 2hrs)	<20
Transverse mode	Near TEM <sub>00</sub>
Coherent length (m)	>1
M <sup>2</sup>	<1.5
Beam diameter at the aperture (1/e <sup>2</sup> , mm)	~2.0
Beam divergence, full angle (mrad)	<1.5
Polarization ratio	>10:1, (>50:1 optional) Horizontal±5 degree (Vertical optional)
Warm-up time (minutes)	<5
Cooled method	Conduction
Beam height from base plate (mm)	30
Operating temperature (°C)	20-30
Power supply (100-240VAC)	PSU-A-D
Expected lifetime (hours)	>10000



LASER HEAD



122.5 (L) × 65 (W) × 50 (H) mm<sup>3</sup>, 1.0kg

POWER SUPPLY<sup>2</sup>



162 (L) × 144 (W) × 70 (H) mm<sup>3</sup>, 1.0kg

1 Any power level can be selected in this range.

2 Output power adjustable 10-100%; RS232 control optional.