

MDL-E-400/1~50mW



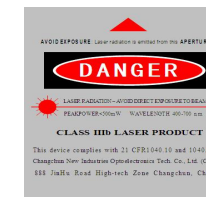
**NARROW LINEWIDTH  
DIODE LASER AT 400nm**

It features a narrow spectral linewidth, stable wavelength, long lifetime and easy operation. They are widely used in precision measurement, high resolution spectrum analysis, etc.

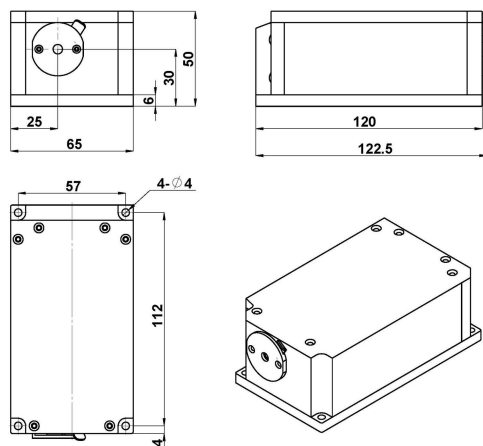


SPECIFICATIONS

|                                                       |                                                                     |
|-------------------------------------------------------|---------------------------------------------------------------------|
| Central wavelength (nm)                               | 400±1                                                               |
| Operating mode                                        | CW                                                                  |
| Output power (mW)                                     | >1, 10, 20, ..., 50                                                 |
| Power stability (rms, over 4 hours)                   | <1%, <2%, <3%                                                       |
| Transverse mode                                       | Near TEM <sub>00</sub>                                              |
| Spectral linewidth (nm)                               | <0.06 (<0.03, optional)                                             |
| Beam diameter at the aperture (1/e <sup>2</sup> , mm) | ~1.3                                                                |
| Beam divergence, full angle (mrad)                    | <1.5                                                                |
| Polarization ratio                                    | >50:1 (>100:1, optional)<br>Horizontal±5 degree (Vertical Optional) |
| Warm-up time (minutes)                                | <5                                                                  |
| Beam height from base plate (mm)                      | 30                                                                  |
| Operating temperature (°C)                            | 20~30                                                               |
| Power supply (100-240VAC)                             | PSU-A-D                                                             |
| Expected lifetime (hours)                             | 10000                                                               |
| Warranty                                              | 1 year                                                              |



MDL-E-400



122.5(L) × 65(W) × 50 (H) mm<sup>3</sup>, 1.0kg

PSU-A-D



162(L) × 144(W) × 70 (H) mm<sup>3</sup>, 1.0kg