

MDL-E-488/1~70mW



**NARROW LINEWIDTH  
DIODE LASER AT 488nm**

It features a narrow spectral linewidth, stable wavelength, long lifetime and easy operation. They are widely used in precision measurement, high resolution spectrum analysis, etc.

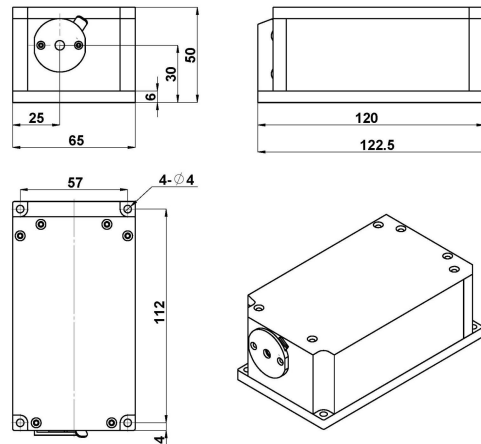


SPECIFICATIONS

Central wavelength (nm)	488±0.5	
Operating mode	CW	
Output power (mW)	>1, 5, 10, ...,30	>30, 40, ...,70
Power stability (rms, over 4 hours)	<1%, <2%, <3%	
Transverse mode	Near TEM <sub>00</sub>	
Spectral linewidth (nm)	<0.06 (<0.03, optional)	
Beam diameter at the aperture (1/e <sup>2</sup> ,mm)	~2.0	
Beam divergence, full angle (mrad)	~1.5	
Polarization ratio	>50:1 (>100:1, optional) Horizontal±5 degree (Vertical Optional)	
Warm-up time (minutes)	<5	
Beam height from base plate (mm)	30	
Operating temperature (°C)	20~30	
Power supply (100-240VAC)	PSU-A-D	
Expected lifetime (hours)	10000	
Warranty	1 year	

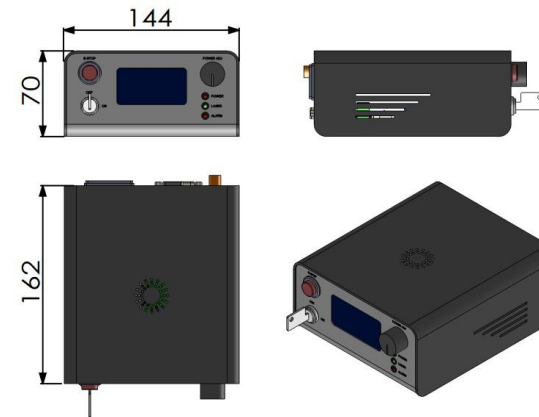


MDL-E-488



122.5(L)×65(W)×50(H) mm<sup>3</sup>, 1.0kg

PSU-A-D



162(L)×144(W)×70(H) mm<sup>3</sup>, 1.0kg