

MDL-E-642/1~50mW



**NARROW LINEWIDTH
DIODE LASER AT 642nm**

It features a narrow spectral linewidth, stable wavelength, long lifetime and easy operation. They are widely used in precision measurement, high resolution spectrum analysis, etc.

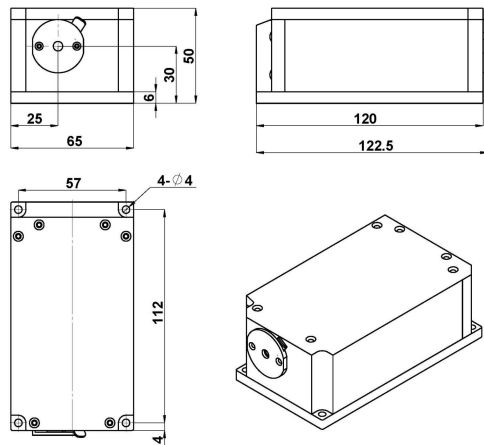


SPECIFICATIONS

| | |
|--|---|
| Central wavelength (nm) | 642±5 |
| Operating mode | CW |
| Output power (mW) | >1, 2, 3, ...,50 |
| Power stability (rms, over 4 hours) | <3%, <2%, <1% |
| Transverse mode | Near TEM ₀₀ |
| Spectral linewidth (nm) | <0.06 (<0.03, optional) |
| M ² factor | <1.5 |
| Beam diameter at the aperture (1/e ² ,mm) | ~2.0 |
| Beam divergence, full angle (mrad) | <1.5 |
| Polarization ratio | >50:1 (>100:1, optional) Horizontal±5 degree (Vertical Optional) |
| Warm-up time (minutes) | <5 |
| Beam height from base plate (mm) | 30 |
| Operating temperature (°C) | 20~30 |
| Power supply (100-240VAC) | PSU-A-D |
| Expected lifetime (hours) | 10000 |
| Warranty | 1 year |



MDL-E-642



122.5(L)×65(W)×50(H) mm³, 1.0kg

PSU-A-D



162(L)×144(W)×70(H) mm³, 1.0kg