

MDL-E-705/1~10mW



**NARROW LINEWIDTH  
DIODE LASER AT 705 nm**

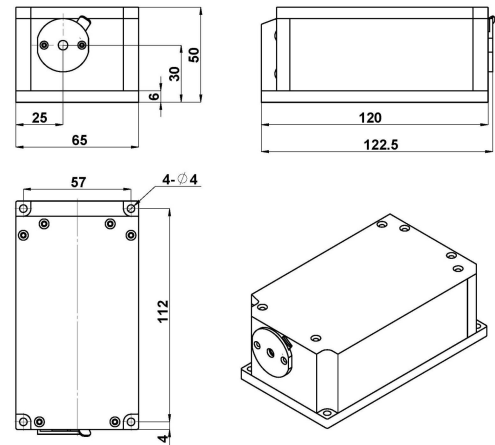
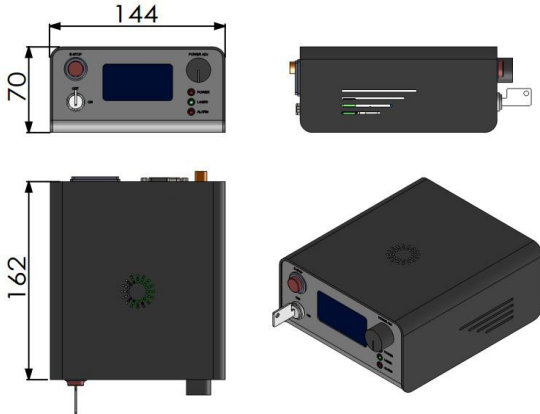
It features a narrow spectral linewidth, stable wavelength, long lifetime and easy operation. They are widely used in precision measurement, high resolution spectrum analysis, etc.



SPECIFICATIONS

|  |                         |
|--|-------------------------|
| Central wavelength (nm)                              | 705±10                  |
| Operating mode                                       | CW                      |
| Output power (mW)                                    | >1, 2, 3, ...,10        |
| Power stability (rms, over 4 hours)                  | <1%, <2%, <3%           |
| Transverse mode                                      | Near TEM <sub>00</sub>  |
| Spectral linewidth (nm)                              | <0.06 (<0.03, optional) |
| Beam diameter at the aperture (1/e <sup>2</sup> ,mm) | ~3.0                    |
| Beam divergence, full angle (mrad)                   | <1.0                    |
| Warm-up time (minutes)                               | <5                      |
| Beam height from base plate (mm)                     | 30                      |
| Operating temperature (°C)                           | 20~30                   |
| Power supply (100-240VAC)                            | PSU-A-D                 |
| Expected lifetime (hours)                            | 10000                   |
| Warranty   | 1 year                  |



| MDL-E-705   | PSU-A-D  |
|---|--|
|  <p>122.5(L) × 65(W) × 50 (H) mm<sup>3</sup>, 1.0kg</p> |  <p>162(L) × 144(W) × 70 (H) mm<sup>3</sup>, 1.0kg</p> |