

MDL-E-780/1-50mW

SPECIFICATIONS

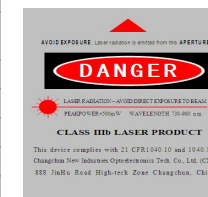


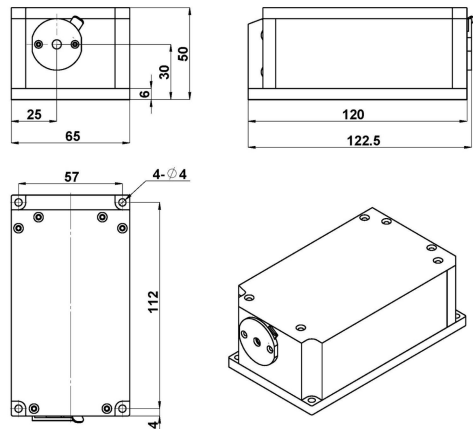
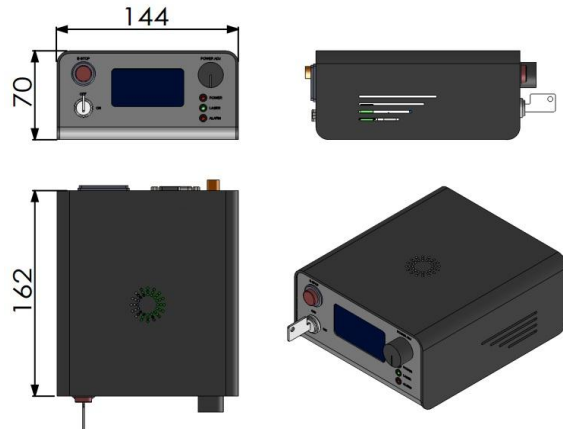
**NARROW LINEWIDTH
DIODE LASER AT 780nm**

It features a narrow spectral linewidth, stable wavelength, long lifetime and easy operation. They are widely used in precision measurement, high resolution spectrum analysis, etc.



| | |
|---|--|
| Central wavelength (nm) | 780±6 |
| Spectral line width (nm) | <0.06, <0.03 |
| Operating mode | CW |
| Output power (mW) ¹ | 1-50 |
| Power stability (rms, 4 hours ± 3°C) | <3%, <2%, <1% |
| Frequency shift (pm) (over ±2°C and 2hrs) | <20 |
| Transverse mode | Near TEM ₀₀ |
| M ² | <1.5 |
| Beam diameter at the aperture (1/e ² , mm) | ~2.0 |
| Beam divergence, full angle (mrad) | <1.5 |
| Polarization ratio | >10:1, (>50:1 optional) Horizontal±5 degree (Vertical optional) |
| Warm-up time (minutes) | <5 |
| Cooled method | Conduction |
| Beam height from base plate (mm) | 30 |
| Operating temperature (°C) | 20-30 |
| Power supply (100-240VAC) | PSU-A-D |
| Expected lifetime (hours) | >10000 |



| LASER HEAD | POWER SUPPLY ² |
|---|--|
|  <p>122.5 (L) × 65 (W) × 50 (H) mm³, 1.0kg</p> |  <p>162 (L) × 144 (W) × 70 (H) mm³, 1.0kg</p> |

1 Any power level can be selected in this range.

2 Output power adjustable 10-100%; RS232 control optional.