

MDL-XS-915/1~100mW



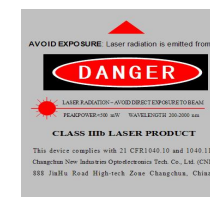
**DIODE XS SERIES LASER  
AT 915nm**

It features integrated electronics, plug and play, miniaturization, international standard interface. They are the ideal solution for a wide range of applications including life sciences, environmental monitoring, inspection and machine vision.



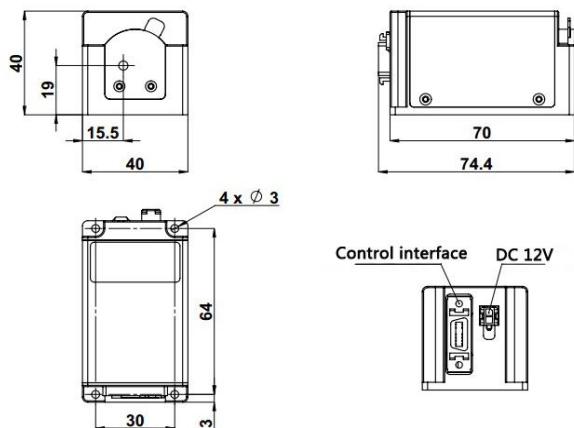
SPECIFICATIONS

Central wavelength (nm)	915±10
Operating mode	CW
Output power (mW)	>1, 10, 20, ...,100
Power stability (rms, over 4 hours)	<3%, <2%, <1%
Transverse mode	Near TEM <sub>00</sub>
Noise of amplitude(rms,20Hz~20MHz)	<1%(<0.5%, optional)
M <sup>2</sup> factor	~1.5
Beam diameter at the aperture (1/e <sup>2</sup> ,mm)	~1.2
Beam divergence, full angle (mrad)	<1.0
Warm-up time (minutes)	<5
Beam height from base plate (mm)	19
Operating temperature (°C)	10~35
Operating voltage	DC12V 4A
Modulation	DMOD (TTL) up to 1MHz
	AMOD (Analog) up to 100kHz
	DMOD+ AMOD (TTL + Analog)
Expected lifetime (hours)	10000
Warranty	1 year



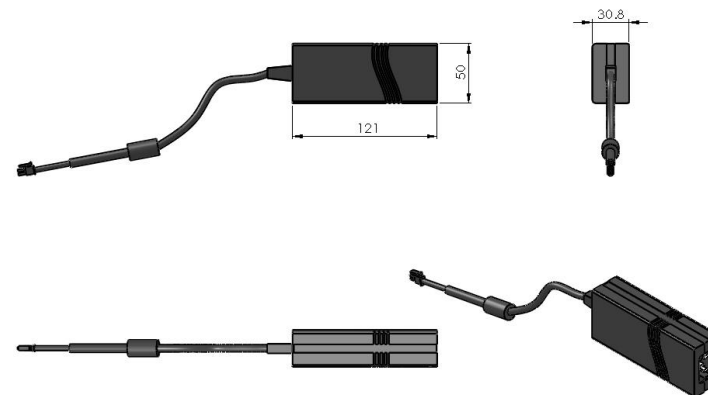
Note: The laser head needs to be used on a heat sink with good heat dissipation.

MDL-XS-915



74.4(L) × 40(W) × 40(H) mm<sup>3</sup>, 0.2kg

Optional Power Supply (100-240VAC)



121(L) × 50(W) × 30.8(H) mm<sup>3</sup>, 0.3kg