

MLL-W-457/1500~4000mW



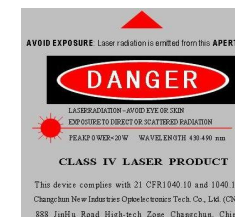
**LD PUMPED ALL-SOLID-STATE  
LOW NOISE BLUE LASER**

All solid state 457nm low noise laser is made features of ultra compact, long lifetime and easy operating, which is used in fluorescence sensors, Raman spectrum, holography, laser printing, interference, holography, laser printing, chip inspection, physics experiment, etc.

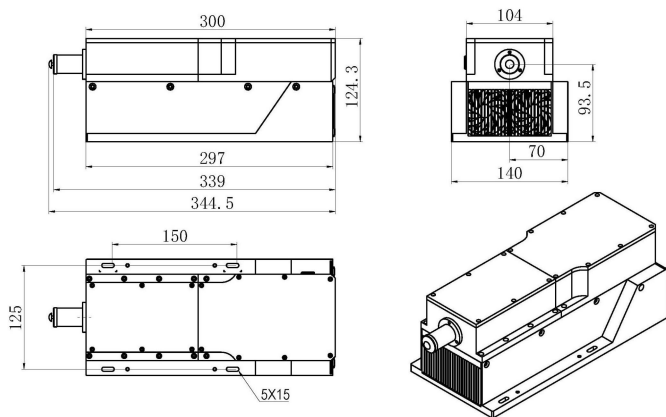


SPECIFICATIONS

Wavelength (nm)	457±1	
Operating mode	CW	
Output power (mW)	>1500, 2000, 3000, ..., 4000	
Power stability (rms, over 4 hours)	<5%, <3%	
Transverse mode	Near TEM <sub>01</sub>	
Noise of amplitude (rms, 1Hz~20MHz)	<3%	
M <sup>2</sup> factor	3~6	
Beam divergence, full angle (mrad)	<2.0	
Beam diameter at the aperture (1/e <sup>2</sup> , mm)	~4.0	
Warm-up time (minutes)	<10	
Polarization ratio	>100:1	
Beam height from base plate (mm)	93.5	
Operating temperature (°C)	10~35	
Power supply (90-264VAC)	PSU-W-LED	PSU-W-FDA
TTL / Analog modulation	TTL or Analog with 1Hz-1kHz 1kHz-10kHz, 10kHz-30kHz optional	
Expected lifetime (hours)	10000	
Warranty period	1 year	

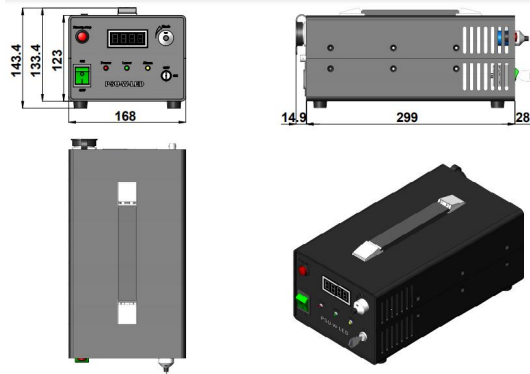


MLL-W-457



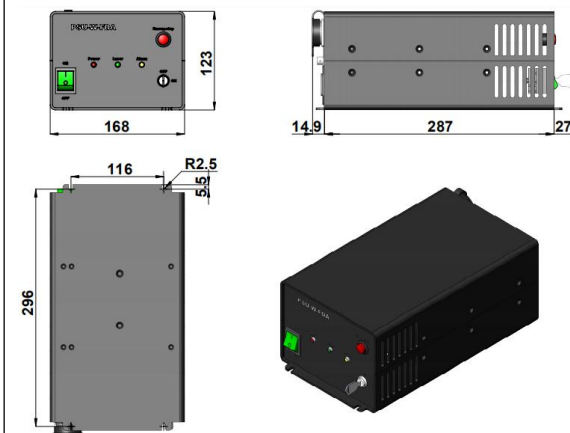
344.5 (L) × 140 (W) × 124.3 (H) mm<sup>3</sup>, 5.7 kg

PSU-W-LED



342.1 (L) × 168 (W) × 143.4 (H) mm<sup>3</sup>, 4.2 kg

PSU-W-FDA



329.1 (L) × 168 (W) × 123 (H) mm<sup>3</sup>, 4.1 kg