

MPL-H-1573/1~50uJ



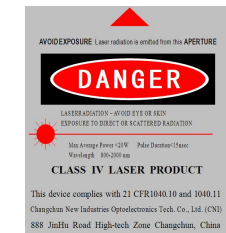
**LD PUMPED ALL-SOLID-STATE  
Q-switched LASER**

All solid state Q-switched laser at 1573nm has the features of high peak power, high repetition rate, and short pulse duration, which is widely used in Laser Telemeter, Laser Surveying, Remote Sensing, LIBS, Laser micro-processing.

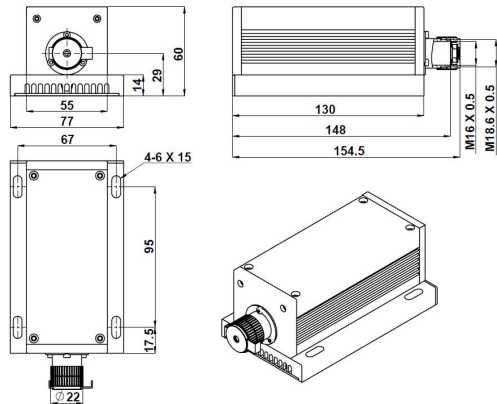


**SPECIFICATIONS**

|                                    |          |   |
|------------------------------------|----------|---|
| Wavelength (nm)                    |          | 1573 ± 1  |
| Operating mode                     |          | Q-switched pulsed laser   |
| Max average power (mW)             |          | 50  |
| Single pulse energy (μJ)           |          | 1~50  |
| Pulse duration (ns)                |          | 1~2   |
| Peak power (kW)                    |          | ~25   |
| Rep.rate (kHz)                     | FIXED    | Setting up one fixed rep. rate internal between 1Hz-1kHz with stable pulse energy, pulse duration and pulse period. |
|                                    | EXT TRIG | 1Hz-1kHz by external trigger with stable pulse energy, pulse duration and pulse period.                             |
| Ave power stability (over 4 hours) |          | <3%,5%  |
| Transverse mode                    |          | TEM <sub>00</sub>   |
| Warm-up time (minutes)             |          | <10   |
| M <sup>2</sup> factor              |          | <1.5  |
| Beam divergence, full angle (mrad) |          | <1.5  |
| Beam diameter at the aperture (mm) |          | ~1.5  |
| Beam height from base plate (mm)   |          | 29  |
| Operating temperature (°C)         |          | 10~35   |
| Power supply (90-264VAC)           |          | PSU-H-FDA   |
| Expected lifetime (hours)          |          | 10000   |
| Warranty                           |          | 1 year  |

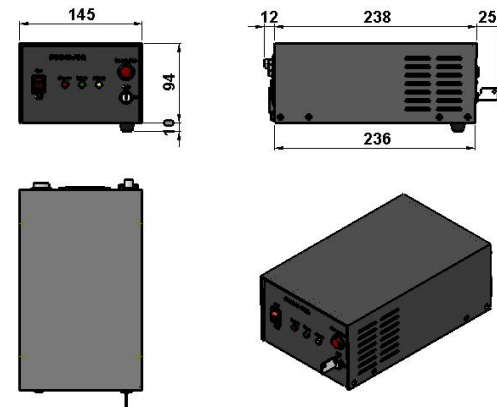


MPL-H-1573



154.5(L)×77(W)×60(H) mm<sup>3</sup>, 0.9 kg

PSU-H-FDA



275(L)×145(W)×104(H) mm<sup>3</sup>, 2.3 kg