

MSIV-N-405/488/561/640/1~200mW

Multi-wavelengths Laser System
AT 405&488&561&640nm

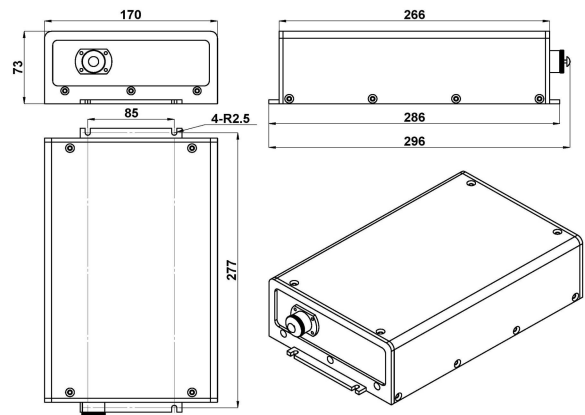
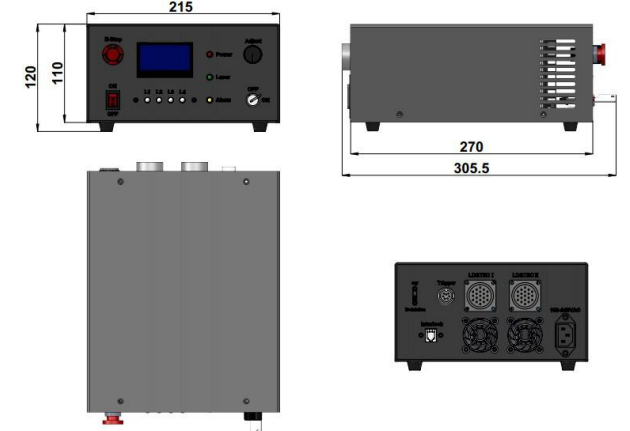
It can provide various kinds of colors, such as red, orange, yellow, green, indigo, blue, purple. It is widely used for laser scientific research, medical treatment, OEM field and multimedia entertainment.



SPECIFICATIONS

Wavelength (nm)	Violet at 405nm, Blue at 488nm, Yellow Green at 561nm, Red at 640nm
Operating mode	CW
Total output power (mW)	>1,50,100, ...,200
Power stability (rms, over 4 hours)	<2%, <3%, <5%
Transverse mode	Near TEM ₀₀ / Near TEM ₀₀ / TEM ₀₀ / Near TEM ₀₀
Beam diameter at the aperture (mm)	~3.5
Beam divergence, full angle (mrad)	<1.5
Warm-up time (minutes)	<10
Operating temperature (°C)	10~35
Power supply (100-240VAC)	RGB-41
TTL / Analog modulation	TTL or Analog with 1Hz-1kHz 1kHz-10kHz, 10kHz-30kHz optional
Expected lifetime (hours)	10000
Warranty	1 year



MSIV-N-405/488/561/640	RGB-41
 <p>296(L)×170(W)×73(H) mm³, 4.2kg</p>	 <p>305.5 (L) ×215(W) ×120 (H) mm³, 5.0kg</p>