



MSL-DP-xxx-C series

SINGLE LONGITUDINAL MODE RED LASER

All solid-state CW mode laser is made features of ultra compact, easy operating, high power and stability, which is perfect for flow cytometry, spectrum analysis, microscopy, semiconductor inspection, cell sorting, optical instrument, physics experiment, etc.

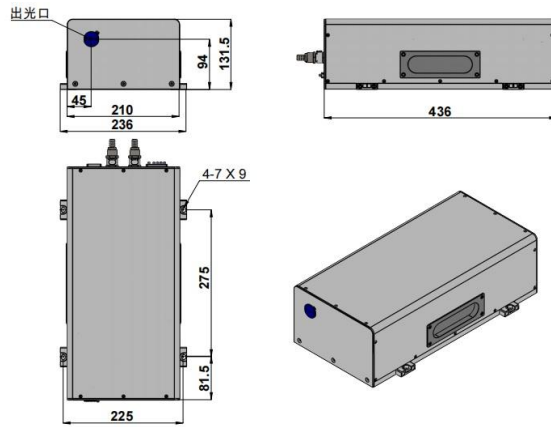


SPECIFICATIONS

Central wavelength (nm)	639±1
Operating mode	CW
Output power (mW)	450-600
Power stability (rms, over 4 hours)	<3%, <2%, <1%
Transverse mode	TEM ₀₀
Longitudinal mode	Single
Spectral linewidth (nm)	<0.00004
Coherent length (m)	>10
Noise of amplitude (rms, 20Hz~20MHz)	<1%, <0.5%
M ² factor	<1.2, <1.1
Beam diameter at the aperture (1/e ² , mm)	<1.5
Beam divergence, full angle (mrad)	<1.5
Warm-up time (minutes)	<10
Beam height from base plate (mm)	94
Cooled method (Water Cooled)	WCH-580
Operating temperature (°C)	10-35
Power supply	12V DC (Photoelectric integrated)
Expected lifetime (hours)	10000
Warranty	1 year

Note: The laser head must be used on a water cooling system

LASER HEAD



436(L)×236(W)×131.5(H) mm³, 16.6 kg

Water Chiller(WCH-580)



345 (L) ×248 (W) ×215(H) mm³, 10.5 kg