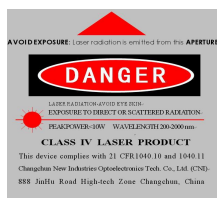


MSX-S

X=II (Two lasers combined)
X=III (Three lasers combined)

Multi-wavelengths
Laser System

Multi-wavelengths laser system at different wavelength can provide various kinds of colors, such as red, orange, green... It is widely used for scientific research, medical treatment, OEM field and multimedia entertainment.

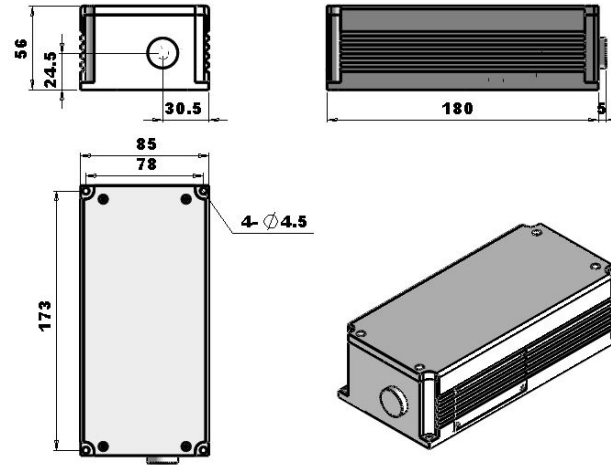


SPECIFICATIONS

Laser Data	Wavelength (nm)	Output power (mW)	Transverse mode	Beam diameter at the aperture (mm)	Beam divergence, full angle (mrad)
UV	375Lnm	1~50	Near TEM ₀₀	~3.0	<0.5
	375nm	1~150	Multimode	<1.5×3.5	~2.3×0.2
Blue	405 nm	1~500	Near TEM ₀₀	~2.5	<0.5
	442 nm	1~50	Near TEM ₀₀	~2.5	<1
	445nm	1~50	Near TEM ₀₀	~2.5	<1
		50~500	Multimode	<2.5×5.2	<2.1×1.6
		500~1000	Multimode	~2×5	<2.5×0.2
	447nm	1~50	Near TEM ₀₀	~2.5	<1
		50~500	Multimode	<2.5×5.2	<2.1×1.6
		500~1000	Multimode	~2×5	<2.5×0.2
	450nm	1~50	Near TEM ₀₀	~2.5	<1
		50~500	Multimode	<2.5×5.2	<2.1×1.6
		500~1000	Multimode	~2×5	<2.5×0.2
	473nm	1~150	TEM ₀₀	~1.2	<1.5
520Lnm		1~40	Near TEM ₀₀	~3	<1
Green	532nm	1~90	TEM ₀₀	~1.5	<1.5
	589nm	1~50	TEM ₀₀	~1.2	<1.5
Yellow	593.5nm	1~30	TEM ₀₀	~1.2	<1.5
	Red	635Lnm	1~200	Near TEM ₀₀	~3
635nm		1~500	Multimode	~5×8	<2.5
637nm		1~200	Near TEM ₀₀	~3	<1
640nm		1~200	Near TEM ₀₀	~3	<1
642nm		1~150	Near TEM ₀₀	~3	<1
655Lnm		1~180	Near TEM ₀₀	~3	<1
655nm		1~1000	Multimode	~5×8	<2.5
660nm		1~100	Near TEM ₀₀	~1.2	<1.5
671nm		1~200	TEM ₀₀	~1.2	<1.5
Infrared	808Lnm	1~100	Near TEM ₀₀	~4	<1
	980Lnm	1~150	Near TEM ₀₀	<3.5	<1
Operating mode	CW				
Power stability (rms, over 4 hours)	<3%, <5%				
Noise	Non-considering		<1% Noise of amplitude (rms, 20HZ~20MHZ)		
Warm-up time (minutes)	<10				
Beam height from base plate (mm)	24.5				
Operating temperature (°C)	10~35				
Power supply (100-240VAC)	PSU-S-LED				
TTL / Analog modulation	TTL or Analog with 1Hz-1KHz 1KHz-10KHz (10KHz-30KHz, optional)				
Expected lifetime (hours)	10000				
Warranty	1 year				

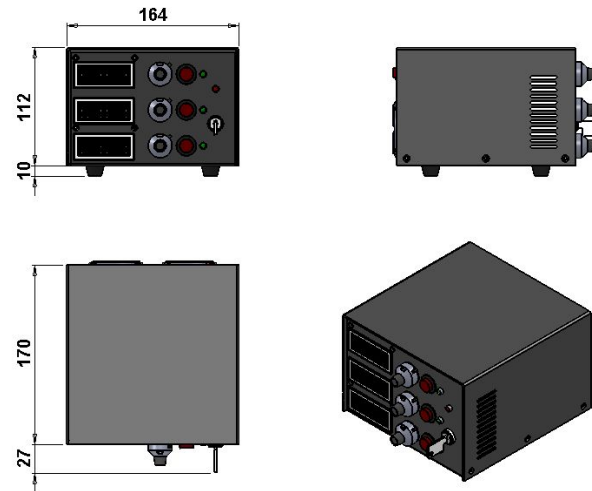
Remark: For more different lasers combination, please contact customer service.

MSX-S



185(L)×85(W)×56(H) mm³, 1.5kg

PSU-S-LED



197(L)×164(W)×122(H) mm³, 2.0kg