



**MxL-DP-xxx-C series**

**LD PUMPED ALL-SOLID-STATE RED LASER**

All solid state laser is made features of ultra compact, long lifetime, low cost and easy operating, which is widely used in measurement, spectrum analysis, and laser lighting show etc.



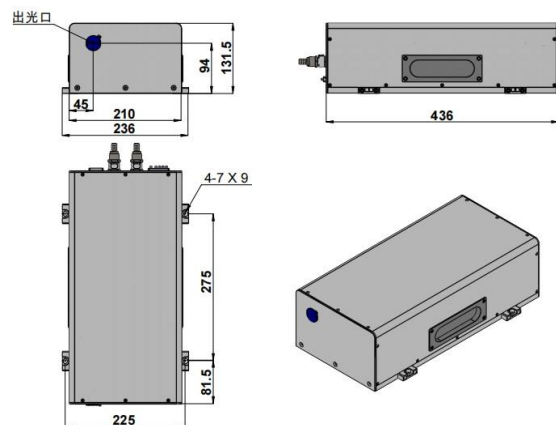
**SPECIFICATIONS**

Part number	MRL-DP-639-C		MRL-DP-721-C	
Central wavelength (nm)	639±1		721±1	
Operating mode	CW			
Output power (mW)	7000-15000	15000-17000	8000-10000	10000-12000
Power stability (rms, over 4 hours)	<3%, <2%, <1%			
Transverse mode	TEM <sub>00</sub>	Multi mode	TEM <sub>00</sub>	Multi mode
M <sup>2</sup> factor	<1.5	/	<1.5	/
Beam diameter at the aperture (1/e <sup>2</sup> , mm)	<1.5	<1.5	<1.5	<1.5
Beam divergence, full angle (mrad)	<1.5	<1.5	<1.5	<1.5
Warm-up time (minutes)	<10			
Beam height from base plate (mm)	94			
Polarization Ratio	>100:1, Vertical (Horizontal Optional)			
Cooled method (Water Cooled)	WCH-580			
Operating temperature (°C)	10~35			
Power supply	12V DC (Photoelectric integrated)			
Warranty	1 year			

**Note: The laser head must be used on a water cooling system.**



LASER HEAD



436(L)×236(W)×131.5(H) mm<sup>3</sup>, 16.6 kg

Water Chiller(WCH-580)



345 (L) ×248 (W) ×215(H) mm<sup>3</sup>, 10.5 kg