

OEM-P-1064/1~20uJ/1~400mW

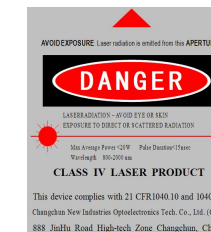
**LD PUMPED ALL-SOLID-STATE  
Q-switched LASER**

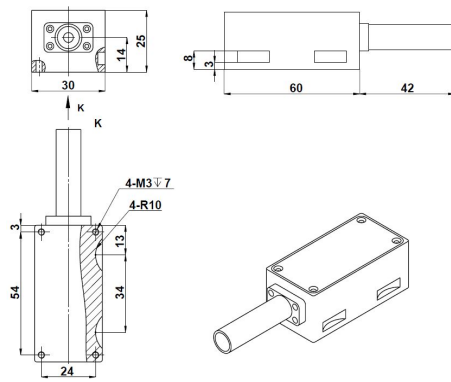
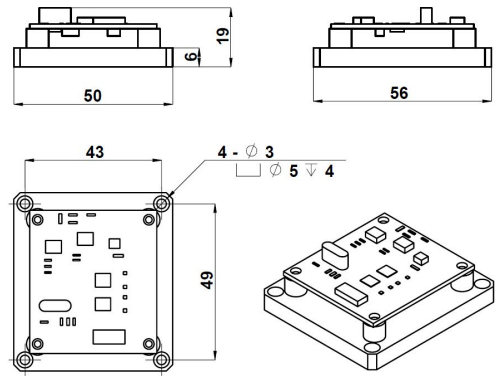
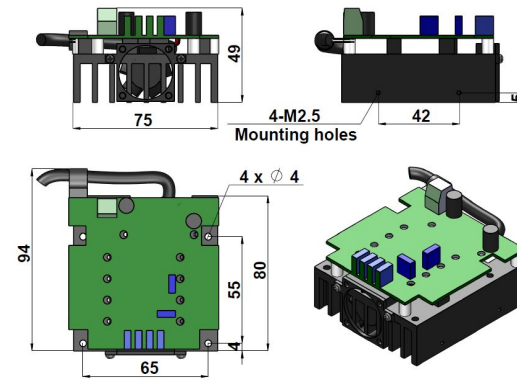
All solid state Q-switched laser at 1064nm has the features of high peak power, high repetition rate, and short pulse duration, which is widely used in industry (marking on the diamond or stone), teaching of nonlinear optics, experiments of generating 355nm, or 266nm laser, fiber communication, etc.



**SPECIFICATIONS**

Wavelength (nm)		1064 ± 1			
Operating mode		Q-switched pulsed laser			
Max average power (mW)		400			
Single pulse energy (μJ)		1~20			
Pulse duration (ns)		1~5			
Peak power (kW)		1~20			
Rep. rate (kHz)	Controllable	Specified One rep. rate, such as 1k, 2k, 3k, up to 4kHz, with stable laser pulses emitting (stable pulse energy, peak, duration and period). Different rep. rate in the range of 1Hz-4kHz can be obtained by input an external TTL signal.			
	Uncontrollable	Undefined rep. rate among 5k-20kHz and unstable laser pulse emitting. Suitable for the applications only needing high peak power pulses.			
Average power (mW)		Average power (mW) = Single pulse energy (μJ) * Rep. rate (kHz)			
Ave power stability (over 4 hours)		<1%, <3%, <5%			
Transverse mode		TEM <sub>00</sub>			
Warm-up time (minutes)		<10			
M <sup>2</sup> factor		<1.5			
Beam divergence, full angle (mrad)		<10 (No Collimation system)	<1.5	<1	<0.75
Beam diameter at the aperture (1/e <sup>2</sup> ,mm)		<0.8 (No Collimation system)	<1.5	<2.2	<3
Beam height from base plate (mm)		14			
Operating temperature (°C)		10~35			
Power supply (5VDC or 90-264VAC)		PSU-P-OEM PSU-III-OEM-97			
Expected lifetime (hours)		10000			
Warranty		1 year			



OEM-P-1064	PSU-P-OEM	PSU-III-OEM-97
 <p>102(L)×30(W)×25(H) mm<sup>3</sup>, 0.112 kg</p>	 <p>56(L)×55(W)×19(H) mm<sup>3</sup> 0.15kg</p>	 <p>94(L)×75(W)×49(H)mm<sup>3</sup>, 0.23kg</p>