

### OEM-SD-637/640/642/350-500mW



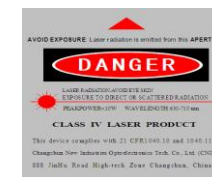
### OEM RED DIODE LASER AT 637/640/642nm

It features ultra compact design, long lifetime, cost-effectiveness and easy operation. They are widely used in measurement, spectrum analysis, laser lighting show, etc.

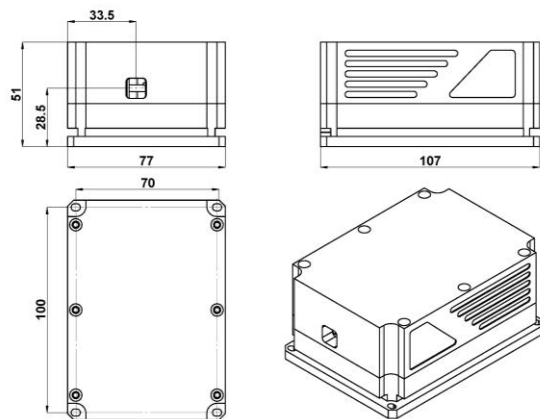


#### SPECIFICATIONS

Central wavelength (nm)	637±5/ 640±5/ 642±5	
Operating mode	CW	
Output power (mW)	>350, 360, ..., 500	
Power stability (rms, over 4 hours)	<1%, <2%, <3%	
Polarization direction	Horizontal/ Vertical	Horizontal+ Vertical
Beam diameter at the aperture (1/e <sup>2</sup> ,mm)	~3.5×1.8	~2.8×2.3
Beam divergence, full angle (mrad)	<1.0	
Warm-up time (minutes)	<5	
Beam height from base plate (mm)	28.5	
Operating temperature (°C)	25+/-3	
Driver (5VDC 5A)	PSU-III-OEM	
TTL / Analog modulation	TTL or Analog with 1Hz-1kHz 1kHz-10kHz, 10kHz-30kHz optional	
Expected lifetime (hours)	10000	
Warranty	1 year	

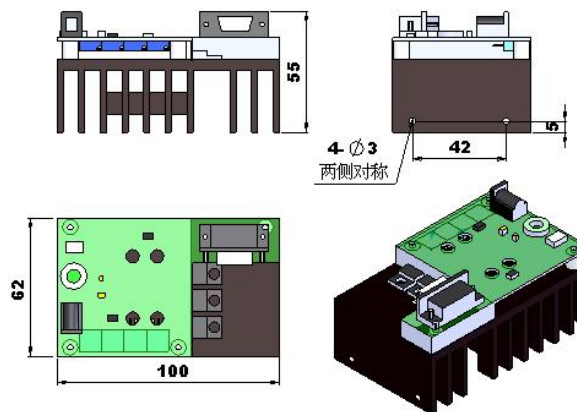


#### OEM-SD-637/640/642



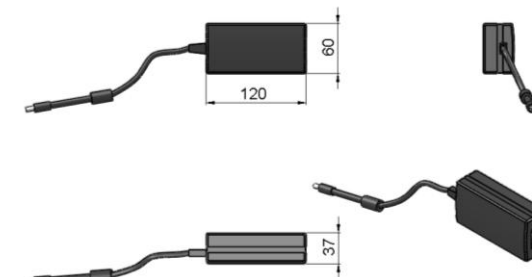
107(L)×77(W)×51(H) mm<sup>3</sup>, 1.0kg

#### PSU-III-OEM



100 (L) ×62(W) ×55 (H) mm<sup>3</sup>, 0.3kg

#### Accessory (Power supply 85-264VAC)



120 (L) ×60(W) ×37 (H) mm<sup>3</sup>, 0.3kg