



中国长春新产业光电技术有限公司  
Changchun New Industries Optoelectronics Tech. Co., Ltd

## PGL-H-635/637/640



Diode red laser is made features of ultra compact, long lifetime, low cost and easy operating, which used widely in measurement, spectrum analysis and laser show, etc.

### SYSTEM SPECIFICATIONS\*

Wavelength	nm	635/637/640
Wavelength tolerance	nm	±10
Output power	mW	1-500
Operating mode		CW
Transverse mode		Multimode
Beam diameter at the aperture(1/e <sup>2</sup> )	mm	~2×4
Beam divergence, full angle	mrad	<3×0.5
Working time	seconds	30
Expected lifetime	hours	10,000
Warranty	months	6

*Worked with TEC for long time operation.*

### ELECTRICAL SPECIFICATIONS

Operating voltage(external PCB1)	3VDC
Operating voltage(external PCB2)	5VDC(TTL10kHz or Analog0-5V)
Connection	Cable with flying leads

### ENVIRONMENTAL CONDITIONS

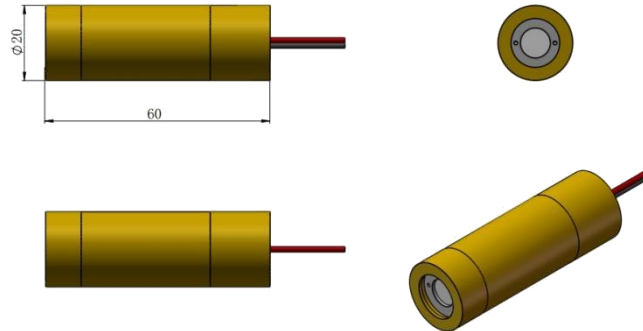
Operating temperature	0°C to 40°C
Storage temperature	-20°C to 80°C
Humidity	<90 %, non-condensing
Dissipated heat	<3W

### MECHANICAL SPECIFICATIONS

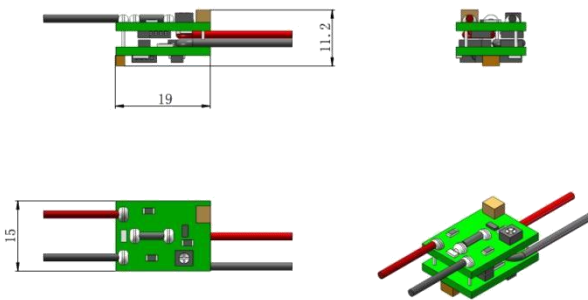
Laser head diameter Φ	mm	20
Length	mm	60
Material		Copper
Shell polarity		The shell has non-polarity.

\*All testing data under the conditions of temperature 25°C.

Dimensions of laser( $\Phi 20 \times 60 \text{mm}^2$ )



Dimensions of PCB1( $11.2 \times 15 \times 19 \text{mm}^3$ , 3VDC)



Dimensions of PCB2( $11.2 \times 15 \times 19 \text{mm}^3$ , 5VDC, TTL10kHz or Analog0-5V)

