



PGL-III-980/5~500mW

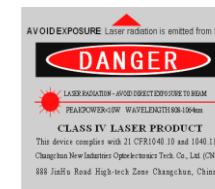
**PORTABLE INFRARED LASER  
AT 980nm**




PGL-III-980 is made features of small size, driven by battery, special safety parts design.



**SPECIFICATIONS**

Wavelength (nm)	980±10
Operating mode	CW
Output power (mW)	>5, 10, 15, 20, ... , 500
Transverse mode	TE <sub>00</sub>
Beam diameter at the aperture (1/e <sup>2</sup> , mm)	~6.0
Beam divergence, full angle (mrad)	<5.0
Operating temperature (°C)	0~40
Switch	Push button
Surface color	Black
Power Consumption	DC 3V
Power supply	2×“C”size 1.5V Alkaline batteries
Expected lifetime (hours)	5000
Warranty	6 months
Remark	LED indicator, remote connector and key switch are available.



PGL-III-980	Dimensions	Accessory
 <p>Φ38×234(L) mm<sup>2</sup>, 0.3 kg</p>		 <p>2×“C”size/1.5V batteries</p>