

PGL-V-H-980



Diode infrared laser module at 980nm is made features of ultra compact, long lifetime, low cost and easy operating, which made it be used widely in measurement, communication and spectrum analysis, etc.

SYSTEM SPECIFICATIONS*

Wavelength	nm	980	
Wavelength tolerance	nm	±10	
Output power	mW	1-100	1-2000
Power stability(rms, over 4 hours)		<5%, <3%, <1%	
Operating mode		CW	
Transverse mode		Near TEM ₀₀	Multimode
Beam diameter at the aperture(1/e ²)	mm	~4.5	~6
Beam divergence, full angle	mrad	<1	<15
Warm-up time	minutes	<10	
Beam height from base plate	mm	15	
Expected lifetime	hours	10000	
Warranty	years	1	

ELECTRICAL SPECIFICATIONS

Operating voltage(PSU-V-OEM)	100-240VAC
Operating voltage(PSU-I-OEM)	12VDC
Modulation optional	TTL30kHz and Analog 0-5V
Connection	9 pin connector

ENVIRONMENTAL CONDITIONS

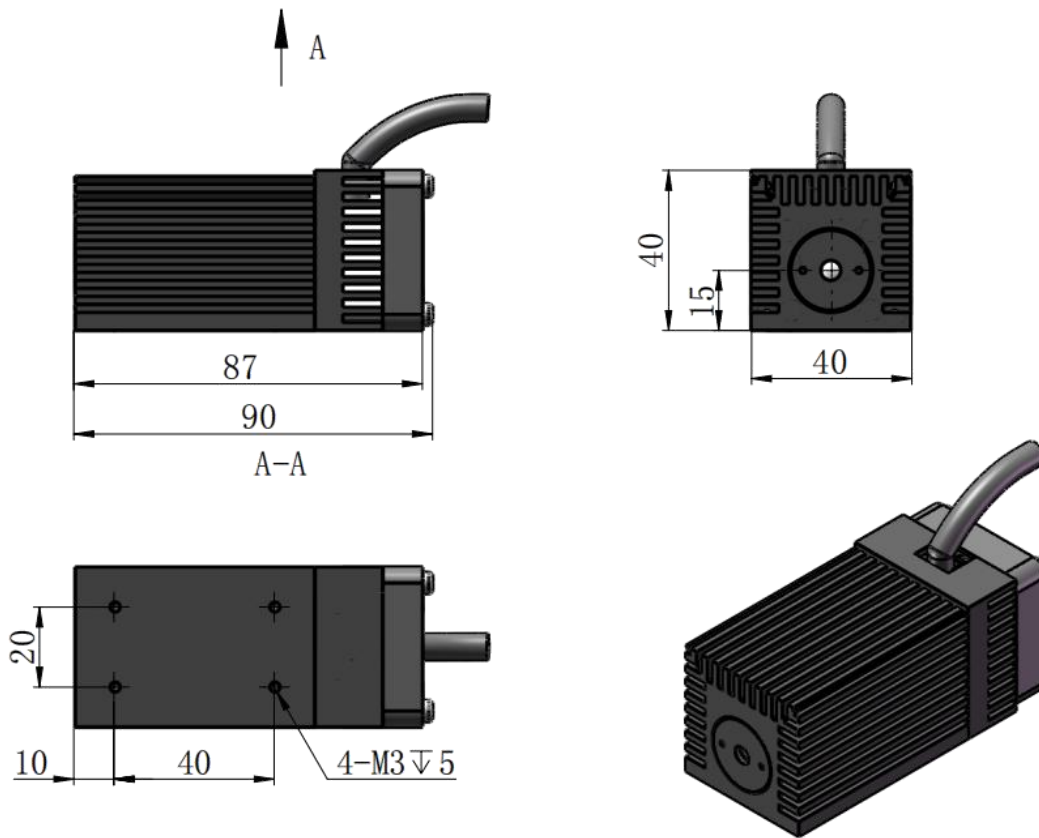
Operating temperature	-10°C to 50°C
Storage temperature	-20°C to 80°C
Humidity	< 90%, non-condensing

MECHANICAL SPECIFICATIONS

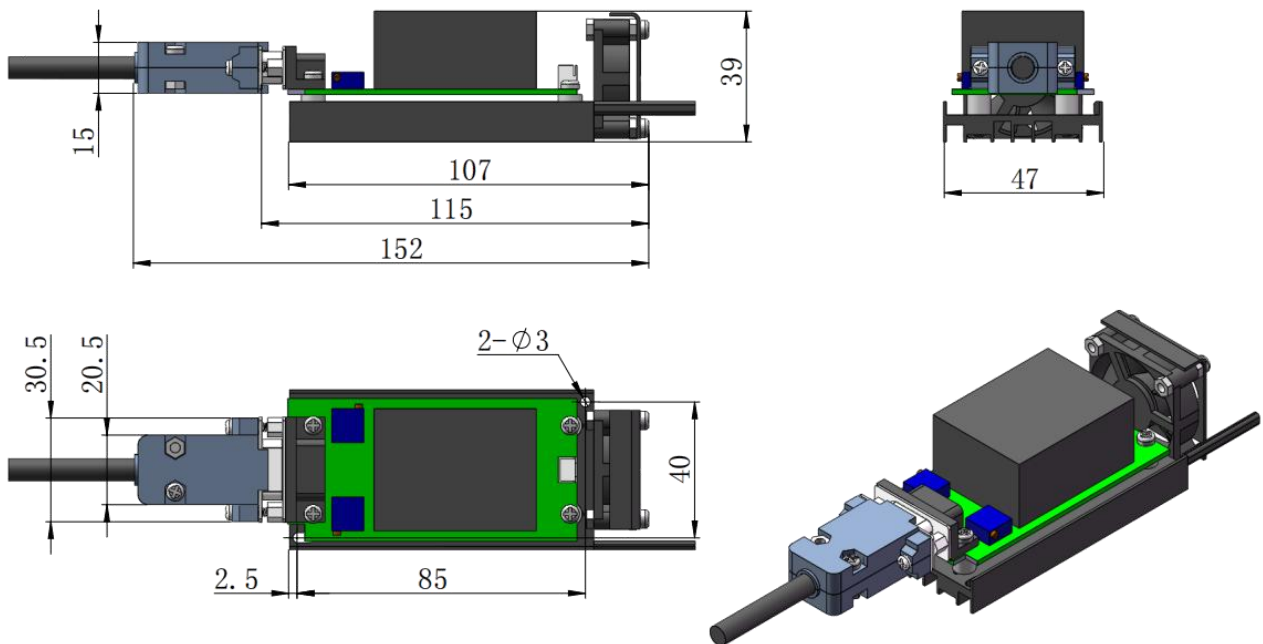
Dimensions of laser head	90(L)×40(W)×40(H)mm ³
Material	Aluminum

*All testing data under the conditions of temperature 25°C.

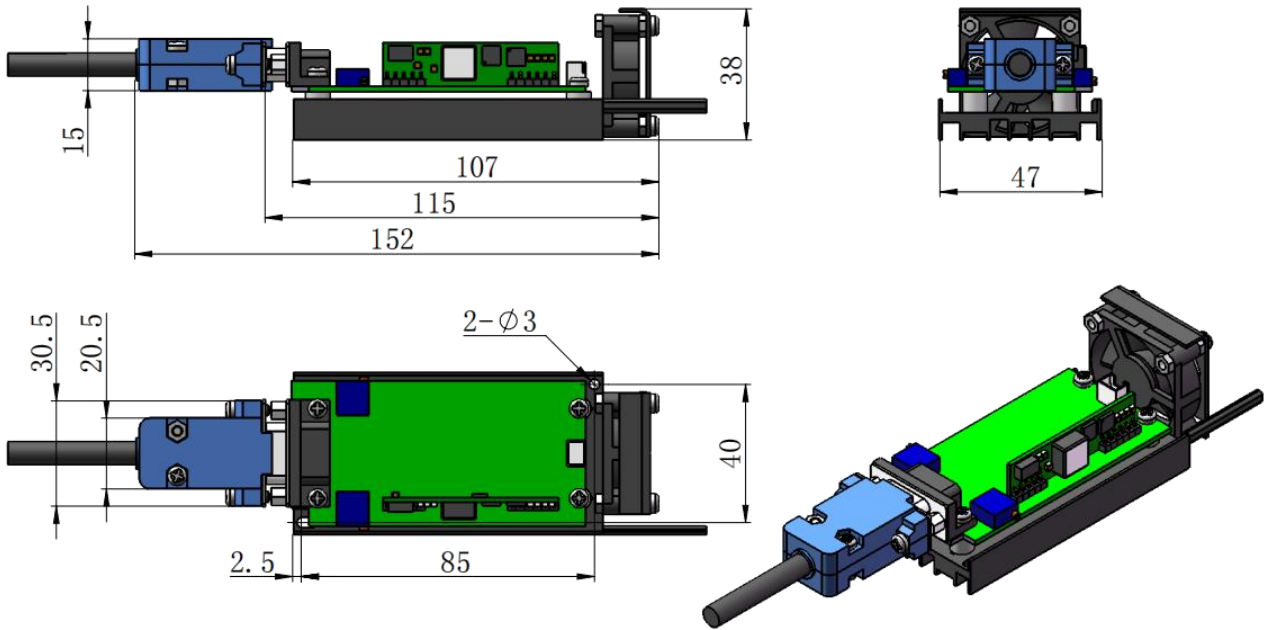
Dimensions of laser head(90×40×40mm³)



Dimensions of PSU-V-OEM power supply
(107×47×39mm³, 100-240VAC, TTL 30kHz and Analog 0-5V)



Dimensions of PSU-I-OEM power supply(107×47×38mm³, 5/12VDC, TTL 30kHz and Analog 0-5V)



Dimensions of PSU-V-OEM and PSU-I-OEM power supply with dust cover(110×70×47mm³)

