

## PGL-VI-1064



Diode infrared laser module at 1064nm is made features of wide range temperature operating (without TEC), high reliability, and low cost, which made it be used widely in collimation, laser medical treatment, scientific experiment and optical instrument. etc.

### SYSTEM SPECIFICATIONS\*

Wavelength	nm	1064
Wavelength tolerance	nm	±1
Output power	mW	1-100
Operating mode		CW
Transverse mode		TEM <sub>00</sub>
Beam diameter at the aperture(1/e <sup>2</sup> )	mm	~1.5
Beam divergence, full angle	mrad	<1.5
Expected lifetime	hours	10000
Warranty	years	1

### ELECTRICAL SPECIFICATIONS

Operating voltage(internal)	3VDC (TTL10kHz, optional)
Operating voltage(external1 PCB)	3VDC
Operating voltage(external2 PCB)	5VDC
Connection	Cable with flying leads

### ENVIRONMENTAL CONDITIONS

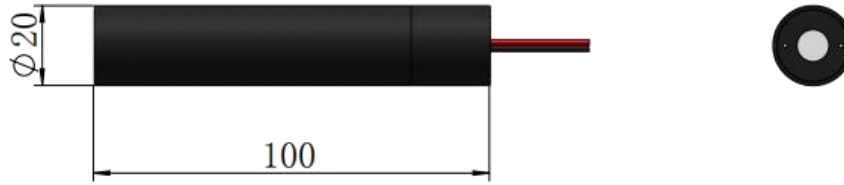
Operating temperature	10°C to 35°C
Storage temperature	-20°C to 80°C
Humidity	< 90 %, non-condensing
Dissipated heat	< 2W

### MECHANICAL SPECIFICATIONS

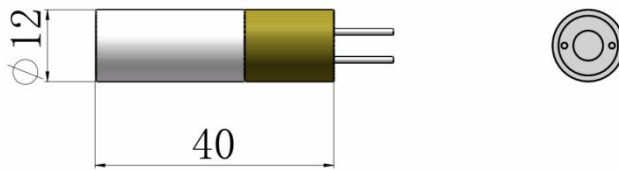
Dimensions of PGL-VI-1064	Φ20×100mm <sup>2</sup>
Dimensions of PGL-VI-1-1064	Φ12×40mm <sup>2</sup>
Material	Aluminum/Copper
Shell polarity	The housing has a negative electrode.

\*All testing data under the conditions of temperature 25°C.

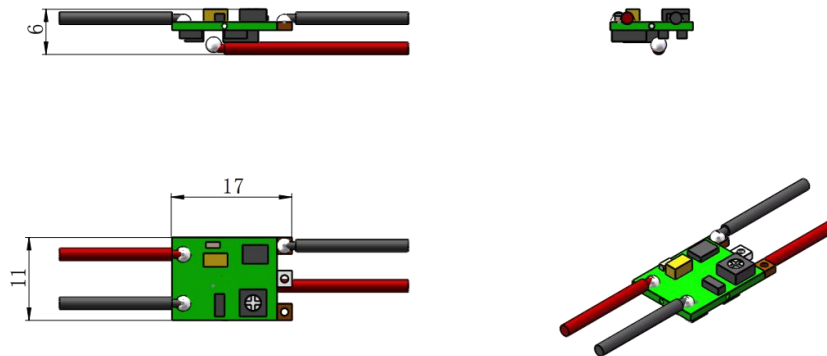
Dimensions of PGL-VI-1064(Internal PCB,  $\Phi 20 \times 100 \text{mm}^2$ , 3VDC)



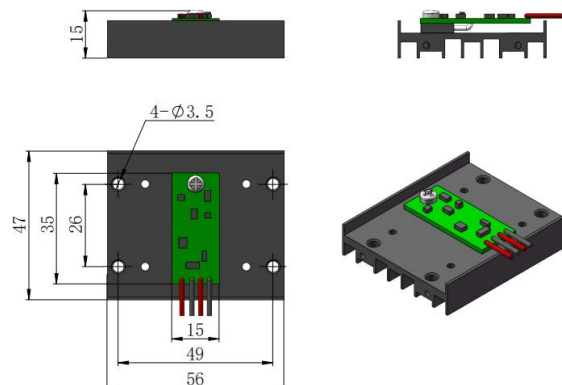
Dimensions of laser (external PCB, PGL-VI-1-1064,  $\Phi 12 \times 40 \text{mm}^2$ )



Dimensions of external PCB1 ( $11 \times 17 \text{mm}^2$ , 3VDC)



Dimensions of external PCB2 ( $15 \times 35 \text{mm}^2$ , 5VDC)



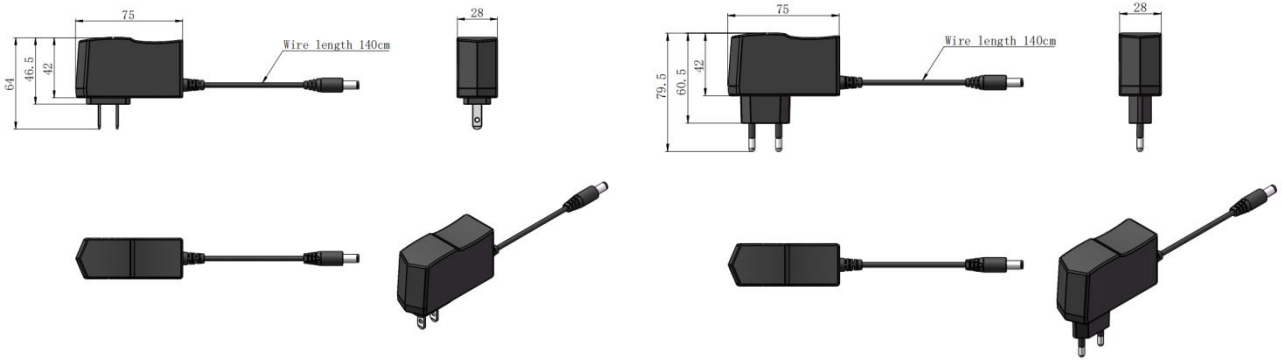


中国长春新产业光电技术有限公司  
Changchun New Industries Optoelectronics Tech. Co., Ltd

### AD-3V 1A POWER ADAPTER

Input	100-240VAC 50-60Hz
Output	DC 3V 1A

Dimensions of power adapter (mm):



### AD-5V 5A POWER ADAPTER

Input	85-264VAC 47/63Hz
Output	DC 5V 5A

Dimensions of power adapter (mm):

