

## PGL-VI-1310



Diode infrared laser module at 1310nm is made features of wide range temperature operating (without TEC), high reliability, and low cost, which made it be used widely in orientation, alignment and measurement. etc.

### SYSTEM SPECIFICATIONS\*

Wavelength	nm	1310
Wavelength tolerance	nm	±10
Output power	mW	1-10
Operating mode		CW
Transverse mode		Near TEM <sub>00</sub>
Beam diameter at the aperture(1/e <sup>2</sup> )	mm	~3.5
Beam divergence, full angle	mrad	<1
Expected lifetime	hours	10000
Warranty	years	1

### ELECTRICAL SPECIFICATIONS

Operating voltage(internal PCB)	3VDC (TTL10kHz, optional)
Operating voltage(internal PCB)	5VDC(TTL30kHz or Analog 0-3V, 0-5V, optional)
Connection	Cable with flying leads

### ENVIRONMENTAL CONDITIONS

Operating temperature	0°C to 40°C
Storage temperature	-20°C to 80°C
Humidity	< 90 %, non-condensing
Dissipated heat	< 1.5W

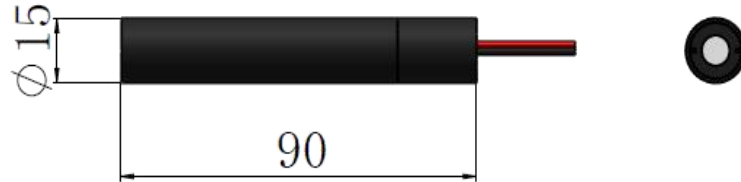
### MECHANICAL SPECIFICATIONS

Laser head diameter Φ	mm	15
Length	mm	90
Material		Aluminum
Shell polarity		The housing is isolated.

\*All testing data under the conditions of temperature 25°C.

Dimensions of laser

(Internal PCB,  $\Phi 15 \times 90 \text{mm}^2$ , 3VDC, TTL10kHz / 5VDC, TTL30kHz or Analog 0-3V, 0-5V)

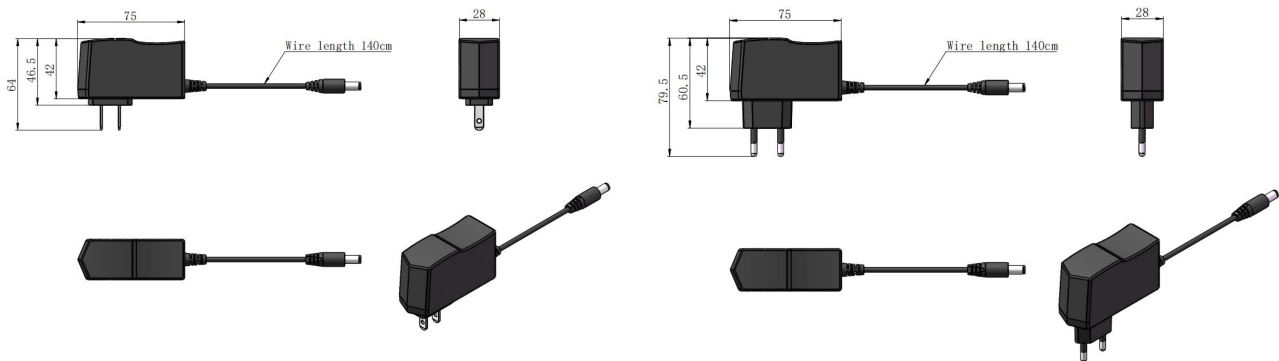


AD-3V 1A POWER ADAPTER

Input 100-240VAC 50-60Hz

Output DC 3V 1A

Dimensions of power adapter (mm):



AD-5V 5A POWER ADAPTER

Input 85-264VAC 47/63Hz

Output DC 5V 5A

Dimensions of power adapter (mm):

