



中国长春新产业光电技术有限公司  
Changchun New Industries Optoelectronics Tech. Co., Ltd

## PGL-VI-655



Diode red laser at 655nm is made features of ultra compact, long lifetime, low cost and easy operating, which made it be used widely in measurement, spectrum analysis and laser show, etc.

### SYSTEM SPECIFICATIONS\*

Wavelength	nm	655
Wavelength tolerance	nm	±10
Output power	mW	1-150
Operating mode		CW
Transverse mode		Near TEM <sub>00</sub>
Beam diameter at the aperture(1/e <sup>2</sup> )	mm	~3.5
Beam divergence, full angle	mrad	<1
Expected lifetime	hours	10000
Warranty	years	1

*Focus adjustable laser is optional.*

### ELECTRICAL SPECIFICATIONS

Operating voltage(internal PCB)	3VDC(TTL10kHz, optional)
Operating voltage(external PCB1)	5VDC(TTL30kHz or Analog0-3V,0-5V, optional)
Operating voltage(external PCB2)	5-12VDC(TTL30kHz and Analog 0-3V,0-5V, optional)
Connection	Cable with flying leads

### ENVIRONMENTAL CONDITIONS

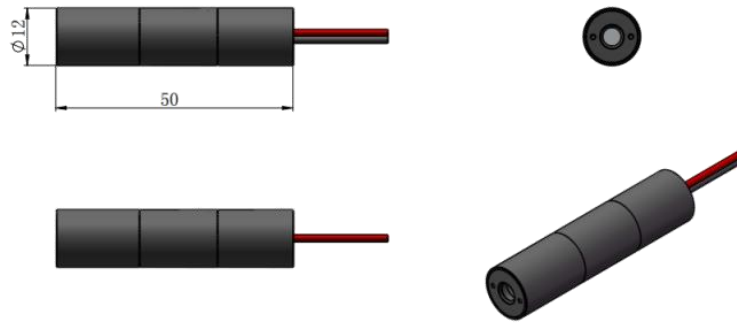
Operating temperature	0°C to 40°C
Storage temperature	-20°C to 80°C
Humidity	< 90 %, non-condensing
Dissipated heat	< 1W

### MECHANICAL SPECIFICATIONS

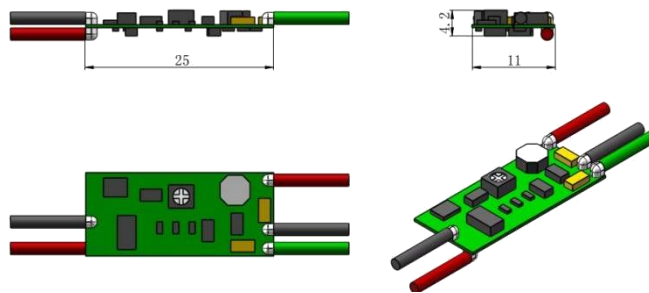
Diameter head Φ	mm	12
Length	mm	50
Material		Aluminum
Shell polarity		The housing is isolated.

\*All testing data under the conditions of temperature 25°C.

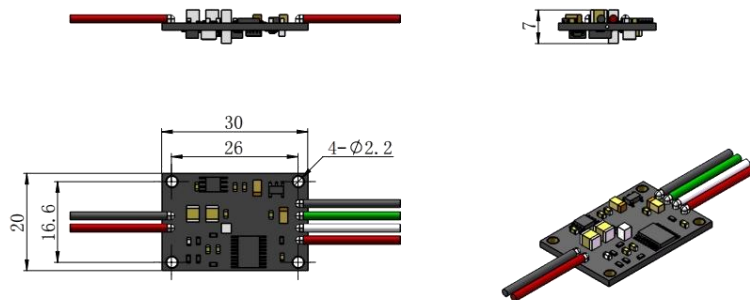
Dimensions of laser(Internal PCB,  $\Phi 12 \times 50 \text{mm}^2$ , 3VDC, TTL)



Dimensions of external PCB1(11×25mm<sup>2</sup>, 5VDC, TTL or Analog)



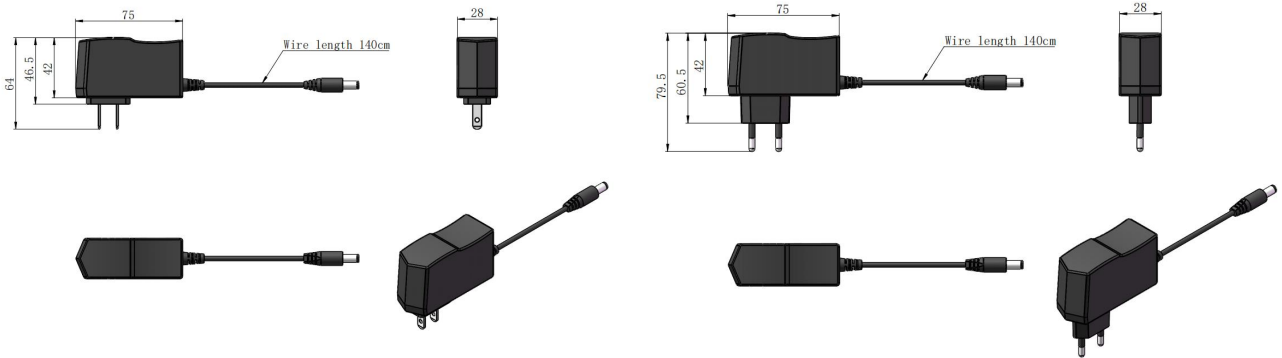
Dimensions of external PCB2(*wide voltage input range*, 20×30mm<sup>2</sup>, 5-12VDC, TTL and Analog)



### AD-3V 1A POWER ADAPTER

Input	100-240VAC 50-60Hz
Output	DC 3V 1A

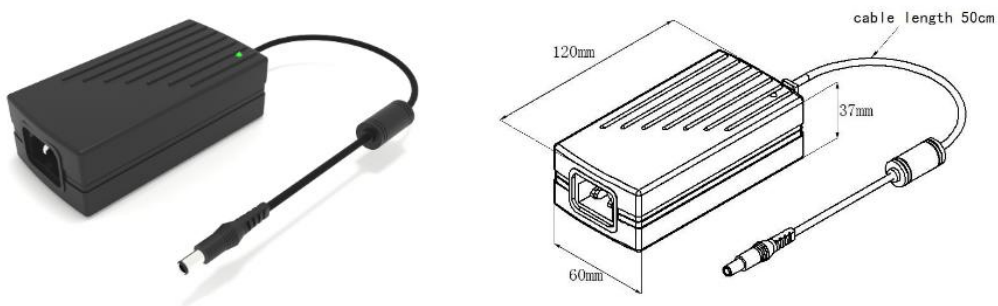
Dimensions of power adapter (mm):



### AD-5V 5A POWER ADAPTER

Input	85-264VAC 47/63Hz
Output	DC 5V 5A

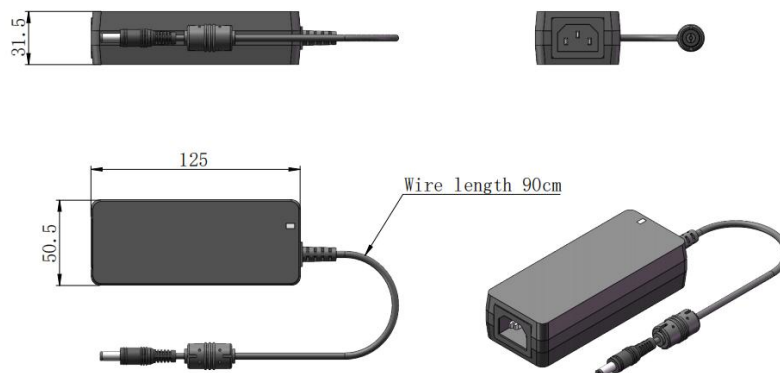
Dimensions of power adapter (mm):



### AD-12V 3.34A POWER ADAPTER

Input	100-240VAC 50/60Hz
Output	DC 12V 3.34A

Dimensions of power adapter (mm):



## MODULE MOUNTING SPECIFICATIONS

Model type		MMU-12
Module mounting size	mm	30 x 25 x 18mm
Applicable models size $\varnothing$	mm	12mm
Through-hole $\varnothing$	mm	3mm
Through-hole distance	mm	25 x 18mm

Dimensions of module mounting (mm):

