



PGL-VI-940



Diode infrared laser module at 940nm is made features of wide range temperature operating (without TEC), high reliability, and low cost, which made it be used widely in orientation, alignment and measurement, etc.

SYSTEM SPECIFICATIONS*

Wavelength	nm	940
Wavelength tolerance	nm	±10
Output power	mW	1-100
Operating mode		CW
Transverse mode		Near TEM ₀₀
Beam diameter at the aperture(1/e ²)	mm	~3.5
Beam divergence, full angle	mrad	<1
Expected lifetime	hours	10000
Warranty	years	1

Focus adjustable laser is optional.

ELECTRICAL SPECIFICATIONS

Operating voltage(internal)	3VDC (TTL10kHz, optional)
Operating voltage(external PCB1)	5VDC(TTL30kHz or Analog 0-3V,0-5V, optional)
Operating voltage(external PCB2)	5-12VDC(TTL30kHz and Analog 0-3V,0-5V, optional)
Connection	Cable with flying leads

ENVIRONMENTAL CONDITIONS

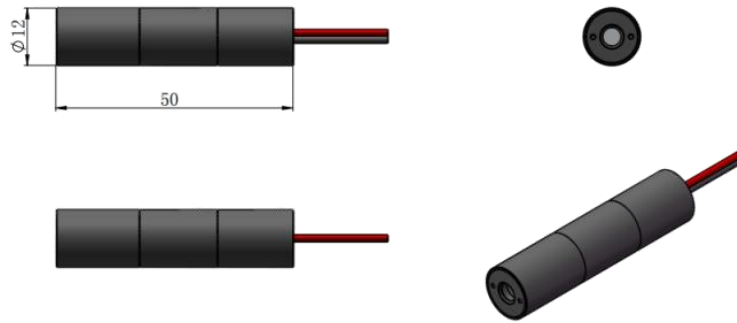
Operating temperature	0°C to 40°C
Storage temperature	-20°C to 80°C
Humidity	< 90 %, non-condensing
Dissipated heat	< 1W

MECHANICAL SPECIFICATIONS

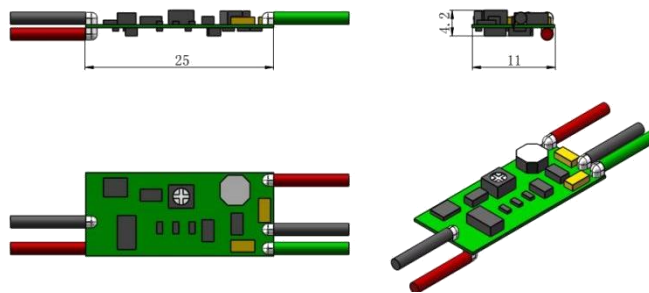
Laser head diameter Φ	mm	12
Length	mm	50
Material		Aluminum
Shell polarity		The housing is isolated.

*All testing data under the conditions of temperature 25°C.

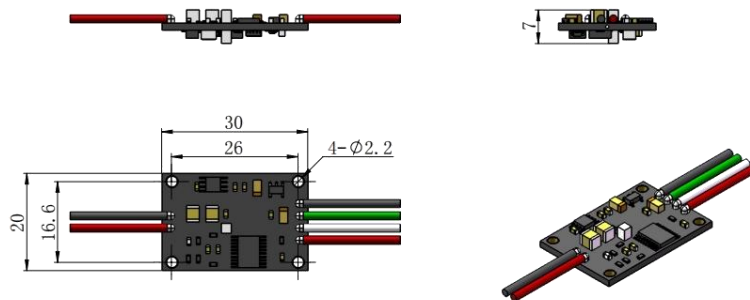
Dimensions of laser(Internal PCB, $\Phi 12 \times 50 \text{mm}^2$, 3VDC, TTL)



Dimensions of external PCB1(11×25mm², 5VDC, TTL or Analog)



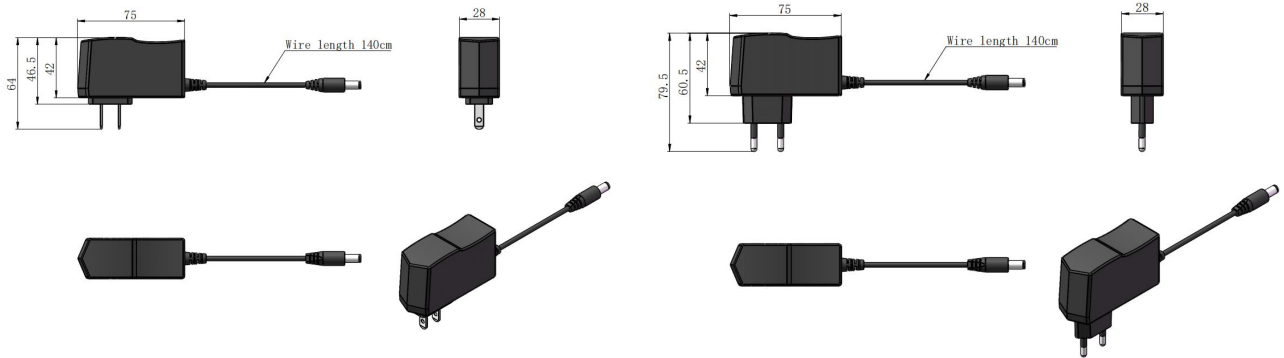
Dimensions of external PCB2(*wide voltage input range*, 20×30mm², 5-12VDC, TTL and Analog)



AD-3V 1A POWER ADAPTER

Input	100-240VAC 50-60Hz
Output	DC 3V 1A

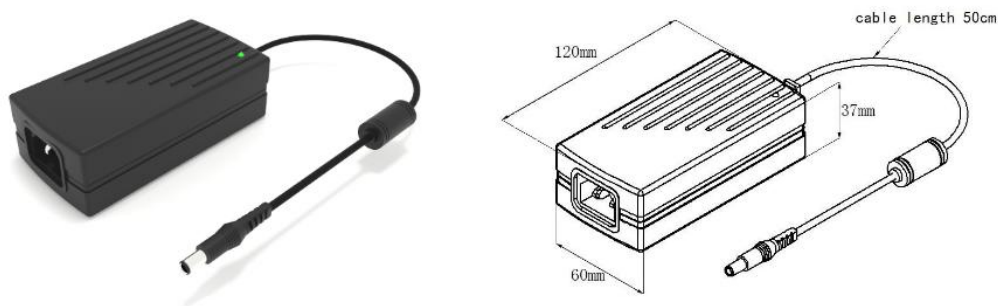
Dimensions of power adapter (mm):



AD-5V 5A POWER ADAPTER

Input	85-264VAC 47/63Hz
Output	DC 5V 5A

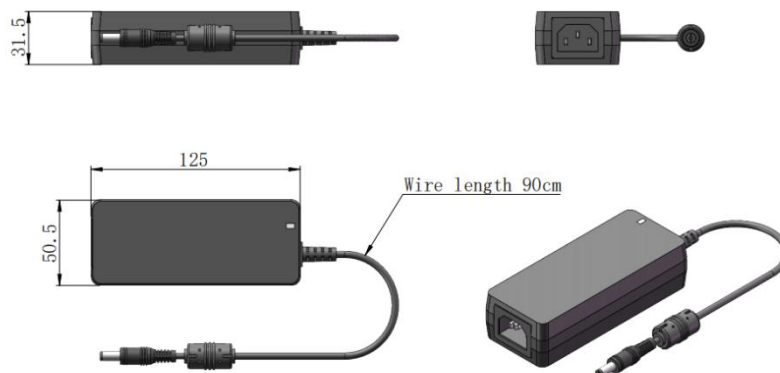
Dimensions of power adapter (mm):



AD-12V 3.34A POWER ADAPTER

Input	100-240VAC 50/60Hz
Output	DC 12V 3.34A

Dimensions of power adapter (mm):



MODULE MOUNTING SPECIFICATIONS

Model type		MMU-12
Module mounting size	mm	30 x 25 x 18mm
Applicable models size \varnothing	mm	12mm
Through-hole \varnothing	mm	3mm
Through-hole distance	mm	25 x 18mm

Dimensions of module mounting (mm):

