



SLDP-405-2-SM

■ Features

405nm
SM Fiber
Coaxial Package
Build-in PD



■ Absolute Maximum Ratings

Parameter	Symbol	Value	Unit
Reverse Voltage	Vr	2.0	V
Operating Temperature	Top	0 ~ +75	°C
Storage Temperature	Tstg	-40 ~ +85	°C
Lead Soldering Temperature (10sec)	Tis	260	°C

■ Initial Electrical/Optical Characteristics

Item	Symbol
Center Wavelength @ 25°C	405±10nm
Spectral Width (FWHM)	2.0nm
Output Power	2mW
Fiber Core	10um UV Fiber
Fiber Numerical Aperature	0.15
Recommend Operating Temperature	25°C
Monitor Current	0.2mA
PD Reverse Voltage	30V
Fiber Connector	FC/SC/SMA905
Fiber Length	80 cm
Threshold Current (Typ.)	26mA
Operating Current (Typ.)	45mA
Operating Voltage	4.8V
Package Style	Coaxial or B1
PD	Built-in

CHANGCHUN NEW INDUSTRIES
OPTOELECTRONICS TECH.CO.,LTD.

CHANGCHUN NEW INDUSTRIES
OPTOELECTRONICS TECH.CO.,LTD.



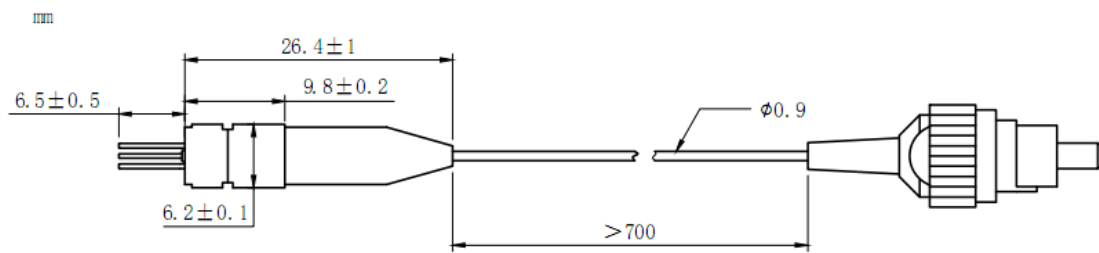
electronics Tech. Co., Ltd ◆ CONTACT

No.888, Jinhua Road, High-tech Zone, Changchun
130103, China

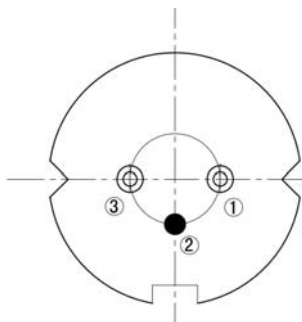
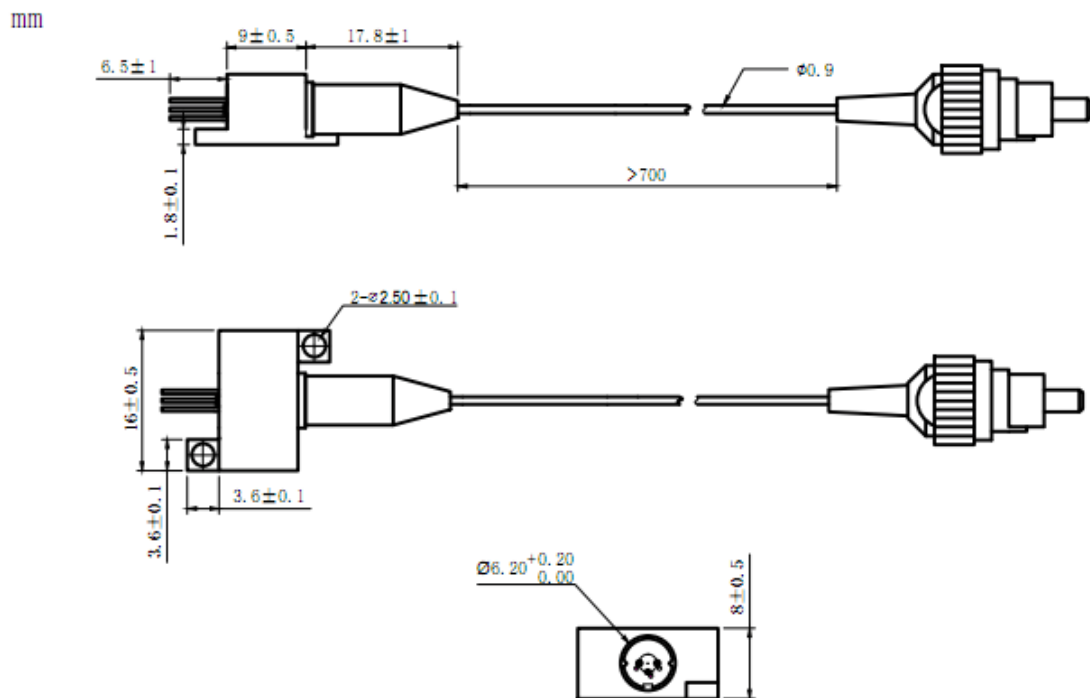
Phone: +86-431-87033597

Fax: +86-431-87033597

Coaxial Package View



B1 Package View



1	LD(+)
2	LD(-)&PD(-)
3	PD(+)

