

## ■ Features

405nm  
SM Fiber  
Coaxial Package



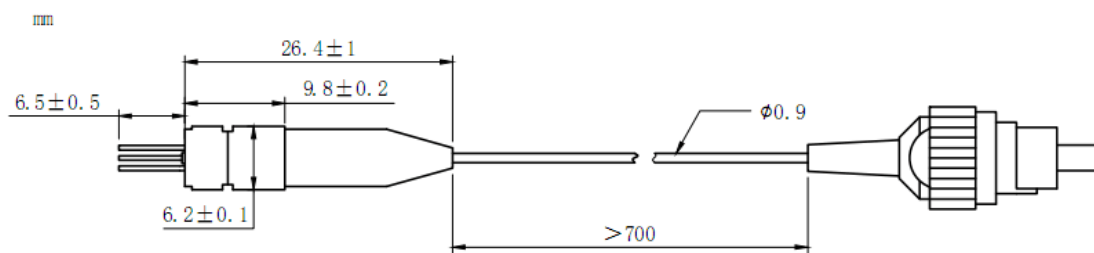
## ■ Absolute Maximum Ratings

Parameter	Symbol	Value	Unit
Reverse Voltage	Vr	5.0	V
Operating Temperature	Top	0 ~ +70	°C
Storage Temperature	Tstg	-40 ~ +85	°C
Lead Soldering Temperature (10sec)	Tis	260	°C

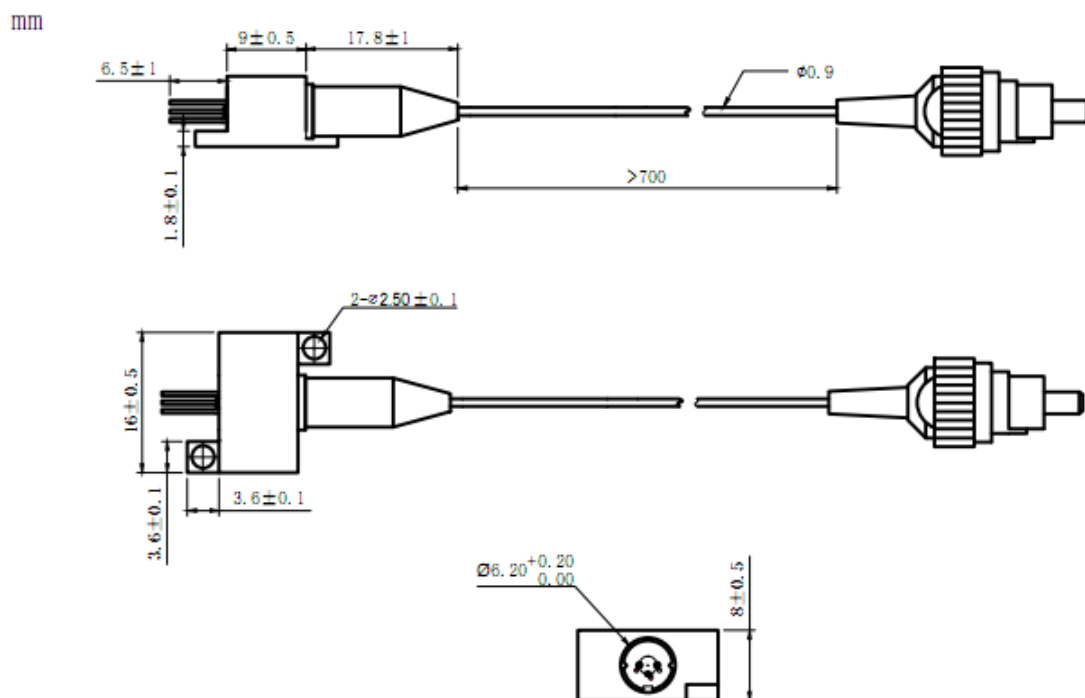
## ■ Initial Electrical/Optical Characteristics

Item	Symbol
Center Wavelength @ 25°C	405±10nm
Spectral Width (FWHM)	2.0nm
Output Power	5mW
Fiber Type	UV Single Mode Fiber
Fiber Core	3um
Recommend Operating Temperature	25°C
Fiber Connector	FC/SC/SMA905
Fiber Length	80 cm
Threshold Current (Typ.)	35mA
Operating Current (Typ.)	120mA
Operating Voltage	4.6V
Package Style	Coaxial or B1

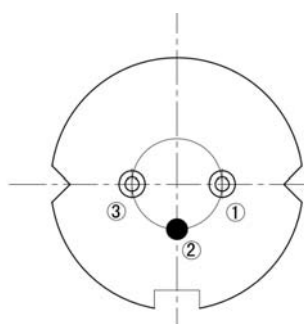
### Coaxial Package View



### B1 Package View



### PIN Bottom View



1	LD(+)
2	GND
3	LD(-)

