



SLDP-405-50-PM

■ Features

405nm
PM Fiber
Coaxial Package



■ Absolute Maximum Ratings

Parameter	Symbol	Value	Unit
Reverse Voltage	Vr	5.0	V
Operating Temperature	Top	0 ~ +70	°C
Storage Temperature	Tstg	-20 ~ +85	°C
Lead Soldering Temperature (10sec)	Tis	260	°C

■ Initial Electrical/Optical Characteristics

Item	Symbol
Center Wavelength @ 25°C	405±10nm
Spectral Width (FWHM)	2.0nm
Output Power	50mW
Fiber Type	UV Polarization Maintaining Fiber
Fiber Core	3µm
Recommend Operating Temperature	25°C
Fiber Connector	FC/SC/SMA905
Fiber Length	80 cm
Threshold Current (Typ.)	35mA
Operating Current (Typ.)	140mA
Operating Voltage	4.6V
Package Style	Coaxial
Photodiodes	Optional

CHANGCHUN NEW INDUSTRIES
OPTOELECTRONICS TECH.CO.,LTD.

CHANGCHUN NEW INDUSTRIES
OPTOELECTRONICS TECH.CO.,LTD.



electronics Tech. Co., Ltd

◆ CONTACT

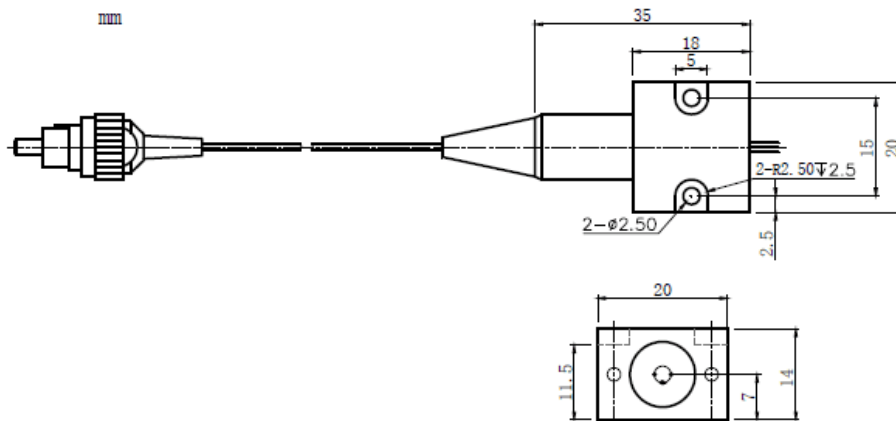
No.888, Jinhua Road, High-tech Zone, Changchun
130103, China

Phone: +86-431-87033597

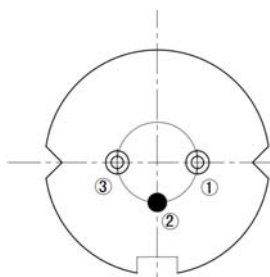
Fax: +86-431-87033597

CHANGCHUN NEW INDUSTRIES
OPTOELECTRONICS TECH.CO.,LTD.

Coaxial Package View



PIN Bottom View



1	LD(+)
2	GND
3	LD(-)



Changchun New Industries Optoelectronics Tech. Co., Ltd
<http://www.cnilaser.com>

◆ CONTACT
 No.888, Jinhua Road, High-tech Zone, Changchun
 130103, China
 Phone: +86-431-87033597
 Fax: +86-431-87033597

1	LD(+)
---	-------