



## SLDP-405-50-SM

### ■ Features

405nm  
SM Fiber  
Coaxial Package



### ■ Absolute Maximum Ratings

Parameter	Symbol	Value	Unit
Reverse Voltage	Vr	2.0	V
Operating Temperature	Top	0 ~ +70	°C
Storage Temperature	Tstg	-40 ~ +85	°C
Lead Soldering Temperature (10sec)	Tis	260	°C

### ■ Initial Electrical/Optical Characteristics

Item	Symbol
Center Wavelength @ 25°C	405±10nm
Spectral Width (FWHM)	2.0nm
Output Power	50mW
Fiber Type	UV Single Mode Fiber
Fiber Core	10um
Fiber Numerical Aperture	0.15
Recommend Operating Temperature	25°C
Fiber Connector	FC/SC/SMA905
Fiber Length	80 cm
Threshold Current (Typ.)	35mA
Operating Current (Typ.)	140mA
Operating Voltage	4.6V
Package Style	Coaxial or B1

CHANGCHUN NEW INDUSTRIES  
OPTOELECTRONICS TECH. CO., LTD.

CHANGCHUN NEW INDUSTRIES  
OPTOELECTRONICS TECH. CO., LTD.



electronics Tech. Co., Ltd

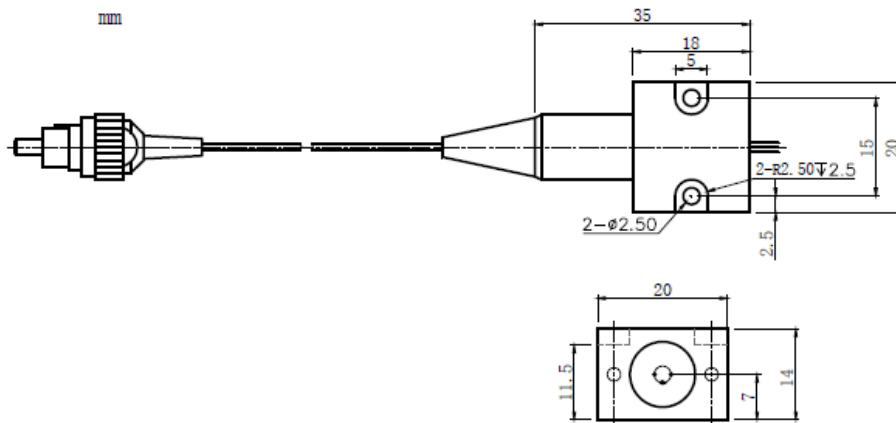
### ◆ CONTACT

No.888, Jinhua Road, High-tech Zone, Changchun  
130103, China

Phone: +86-431-87033597

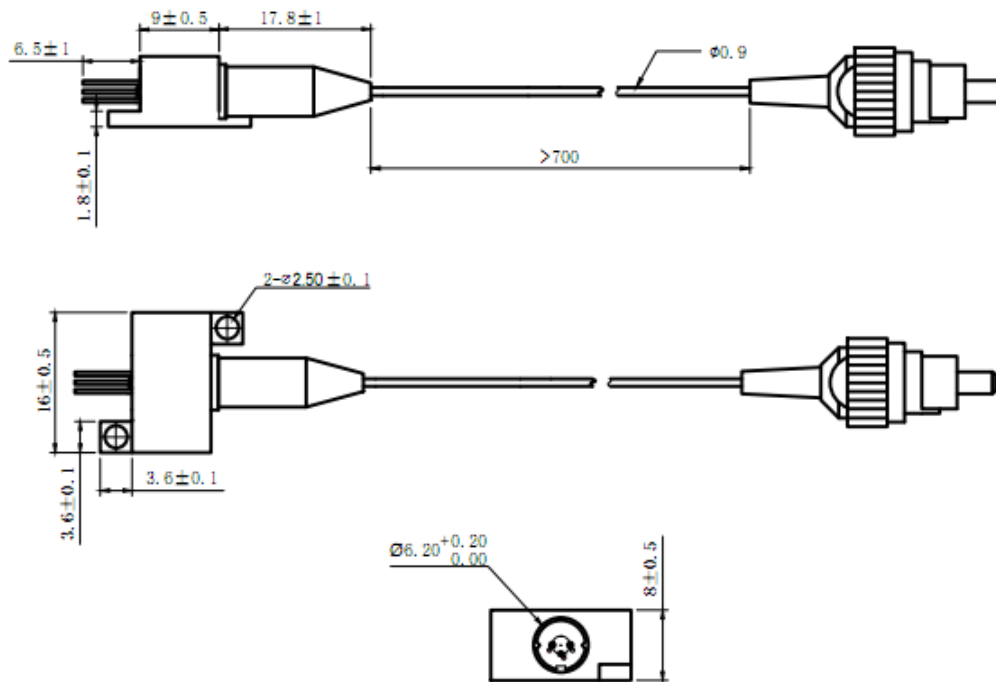
Fax: +86-431-87033597

## Coaxial Package View



## B1 Package View

mm



Electronics Tech. Co., Ltd

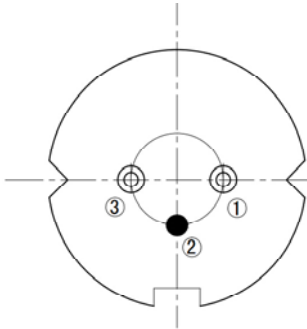
### ◆ CONTACT

No.888, Jinhu Road, High-tech Zone, Changchun  
130103, China

Phone: +86-431-87033597

Fax: +86-431-87033597

## PIN Bottom View



1	LD(+)
2	GND
3	LD(-)



---

**Changchun New Industries Optoelectronics Tech. Co.,  
Ltd**  
<http://www.cnilaser.com>

◆ CONTACT  
No.888, Jihu Road, High-tech Zone, Changchun  
130103, China  
Phone: +86-431-87033597  
Fax: +86-431-87033597