



SLDP-650-100-PM



■ Features

- 650nm
- With PM Fiber
- HHL Package Optional
- TEC Cooler Optional
- LD & TEC Driver Optional



■ Absolute Maximum Ratings

Parameter	Symbol	Value	Unit
Reverse Voltage	Vr	2.0	V
Operating Temperature	Top	-10 ~ +50	°C
Storage Temperature	Tstg	-20 ~ +85	°C
Lead Soldering Temperature (10sec)	Tis	260	°C

■ Initial Electrical/Optical Characteristics

Item	Symbol
Center Wavelength @ 25°C	650±5nm
Spectral Width (FWHM)	2.0nm
Output Power	100mW
Fiber Type	PM Fiber
Fiber Core	4um
Recommend Operating Temperature	25°C
Fiber Connector	FC/SC/SMA905
Fiber Length	80cm
Threshold Current (Typ.)	55mA
Operating Current (Typ.)	260mA
Operating Voltage	2.7V
Package Style	Coaxial

CHANGCHUN NEW INDUSTRIES
OPTOELECTRONICS TECH.CO.,LTD.

CHANGCHUN NEW INDUSTRIES
OPTOELECTRONICS TECH.CO.,LTD.



Optoelectronics Tech. Co., Ltd

◆ CONTACT

No.888, Jinhua Road, High-tech Zone, Changchun
130103, China

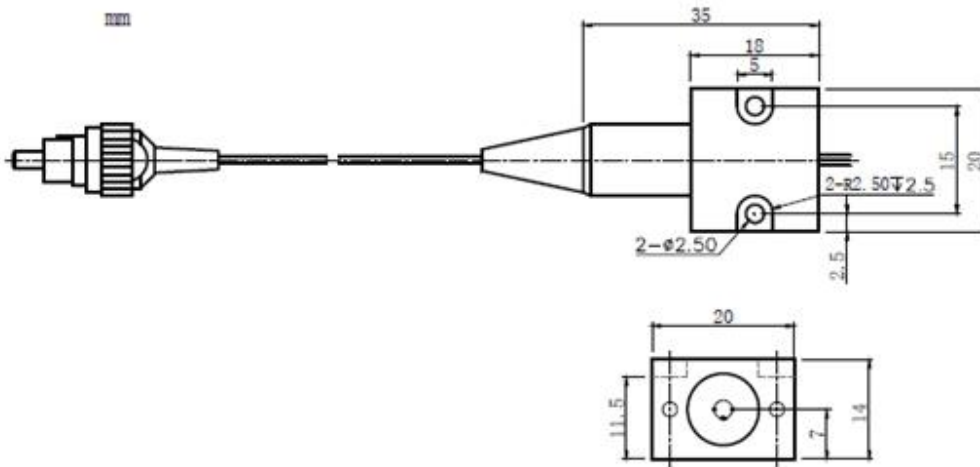
Phone: +86-431-87033597

Fax: +86-431-87033597

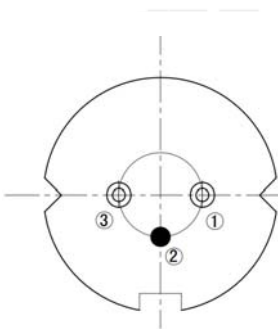
CHANGCHUN NEW INDUSTRIES
OPTOELECTRONICS TECH.CO.,LTD.

CHANGCHUN NEW INDUSTRIES
OPTOELECTRONICS TECH.CO.,LTD.

Coaxial Package View



PIN Bottom View



1	LD(+)
2	LD(-)
3	NC



Changchun New Industries Optoelectronics Tech. Co., Ltd
<http://www.cnilaser.com>

◆ CONTACT

No.888, Jinhu Road, High-tech Zone, Changchun
 130103, China

Phone: +86-431-87033597

Fax: +86-431-87033597