



SLDP-650-20-SM



■ Features

650nm

With 9um Fiber

Coaxial or B1 Package



■ Absolute Maximum Ratings

Parameter	Symbol	Value	Unit
Reverse Voltage	Vr	2.0	V
Operating Temperature	Top	-10 ~ +60	°C
Storage Temperature	Tstg	-40 ~ +85	°C
Lead Soldering Temperature (10sec)	Tis	260	°C

■ Initial Electrical/Optical Characteristics

Item	Symbol
Center Wavelength @ 25°C	650±10nm
Spectral Width (FWHM)	2.0nm
Output Power	20mW
Fiber Type	SMF-28
Fiber Core	9um
Recommend Operating Temperature	25°C
Fiber Connector	FC/SC/SMA905
Fiber Length	80cm
Threshold Current (Typ.)	45mA
Operating Current (Typ.)	150mA
Operating Voltage	2.4V
Package Style	Coaxial or B1

CHANGCHUN NEW INDUSTRIES
OPTOELECTRONICS TECH.CO.,LTD.

CHANGCHUN NEW INDUSTRIES
OPTOELECTRONICS TECH.CO.,LTD.



Optoelectronics Tech. Co., Ltd

◆ CONTACT

No.888, Jinhua Road, High-tech Zone, Changchun
130103, China

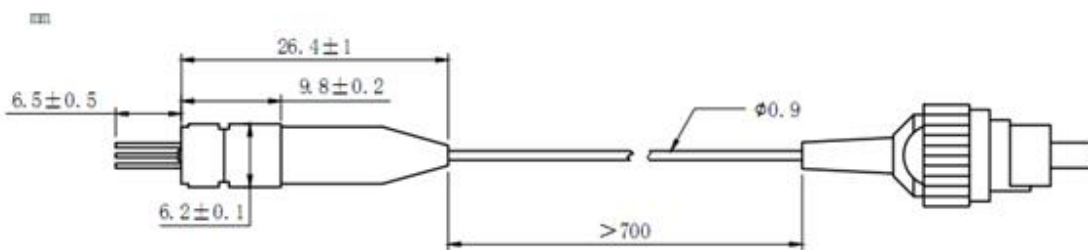
Phone: +86-431-87033597

Fax: +86-431-87033597

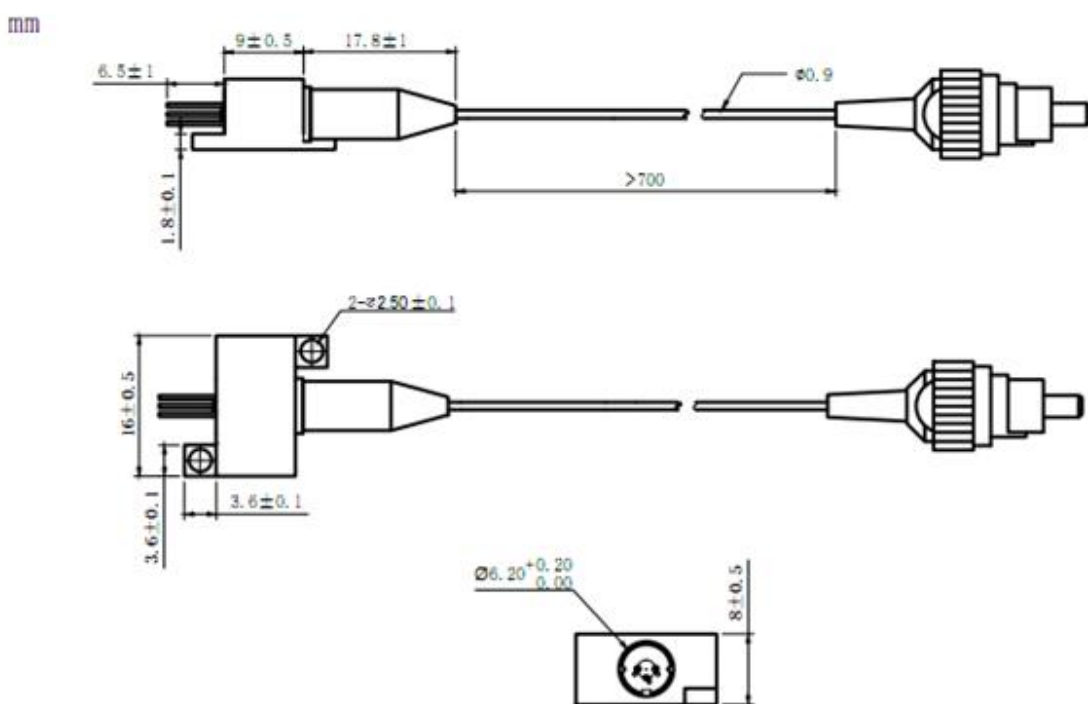
CHANGCHUN NEW INDUSTRIES
OPTOELECTRONICS TECH.CO.,LTD.

CHANGCHUN NEW INDUSTRIES
OPTOELECTRONICS TECH.CO.,LTD.

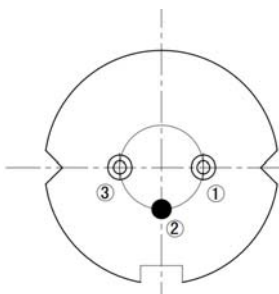
Coaxial Package View



B1 Package View



PIN Bottom View



1	LD(+)
2	LD(-)
3	NC



Changchun New Industries Optoelectronics Tech. Co., Ltd
<http://www.cnilaser.com>

◆ CONTACT

No.888, Jinhu Road, High-tech Zone, Changchun
 130103, China

Phone: +86-431-87033597

Fax: +86-431-87033597