



SLDP-650-50-SM

■ Features

- 650nm
- SM Fiber
- Coaxial or B1 Package



■ Absolute Maximum Ratings

Parameter	Symbol	Value	Unit
Reverse Voltage	Vr	2.0	V
Operating Temperature	Top	-10 ~ +50	°C
Storage Temperature	Tstg	-40 ~ +85	°C
Lead Soldering Temperature (10sec)	Tis	260	°C

■ Initial Electrical/Optical Characteristics

Item	Symbol
Center Wavelength @ 25°C	650±5nm
Spectral Width (FWHM)	2.0nm
Output Power	50mW
Fiber Type	Single Mode Fiber
Fiber Core	4um
Recommend Operating Temperature	25°C
Fiber Connector	FC/SC/SMA905
Fiber Length	80cm
Threshold Current (Typ.)	50mA
Operating Current (Typ.)	220mA
Operating Voltage	2.6V
Package Style	Coaxial or B1

CHANGCHUN NEW INDUSTRIES
OPTOELECTRONICS TECH.CO.,LTD.

CHANGCHUN NEW INDUSTRIES
OPTOELECTRONICS TECH.CO.,LTD.



CHANGCHUN NEW INDUSTRIES
OPTOELECTRONICS TECH.CO.,LTD.

electronics Tech. Co., Ltd ◆ CONTACT

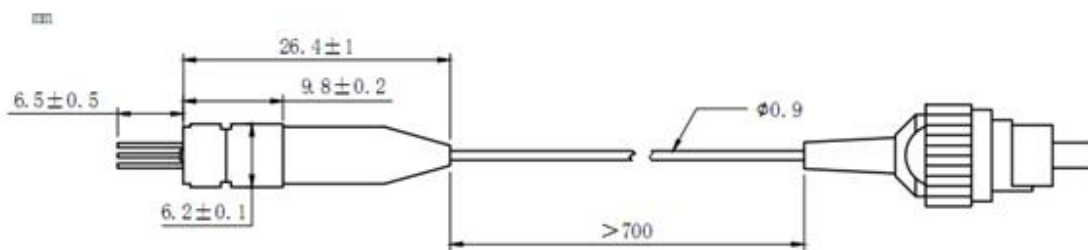
No.888, Jinhua Road, High-tech Zone, Changchun
130103, China

Phone: +86-431-87033597

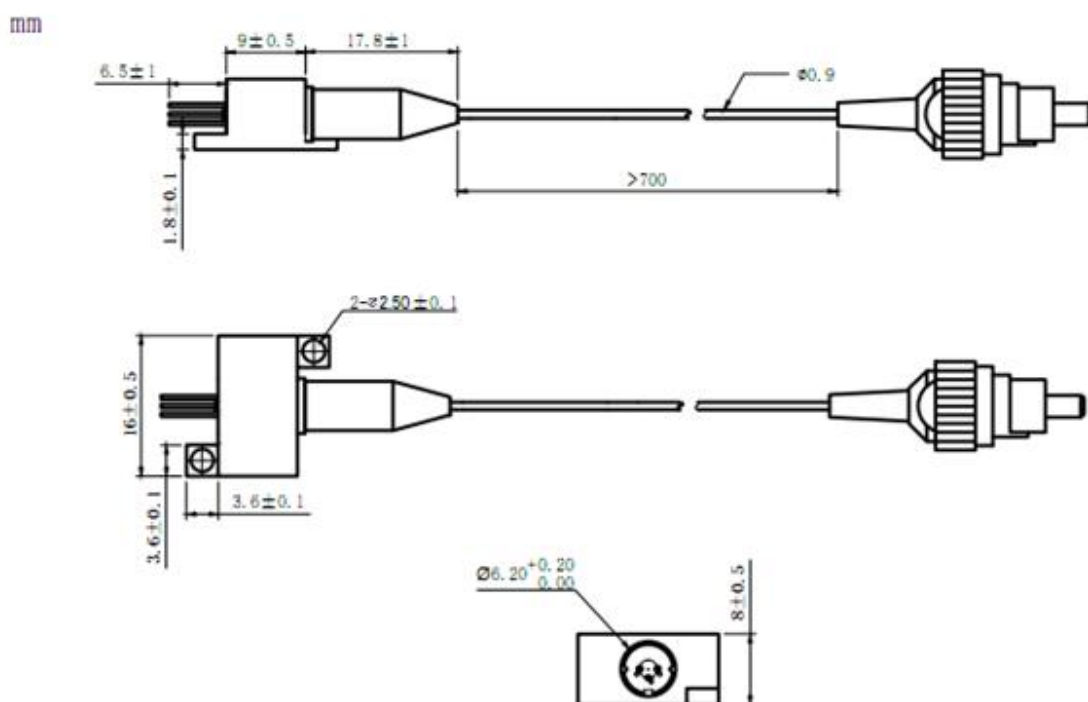
Fax: +86-431-87033597

CHANGCHUN NEW INDUSTRIES
OPTOELECTRONICS TECH.CO.,LTD.

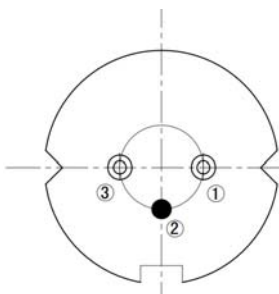
Coaxial Package View



B1 Package View



PIN Bottom View



1	LD(+)
2	LD(-)
3	NC



Changchun New Industries Optoelectronics Tech. Co., Ltd
<http://www.cnilaser.com>

◆ CONTACT

No.888, Jinhu Road, High-tech Zone, Changchun
 130103, China

Phone: +86-431-87033597

Fax: +86-431-87033597