

TUN-W-2600~4450/1~1000mW

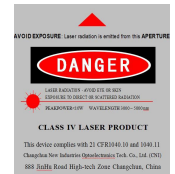
**LD PUMPED ALL-SOLID-STATE
MID-IR LASER AT 2600~4450nm**

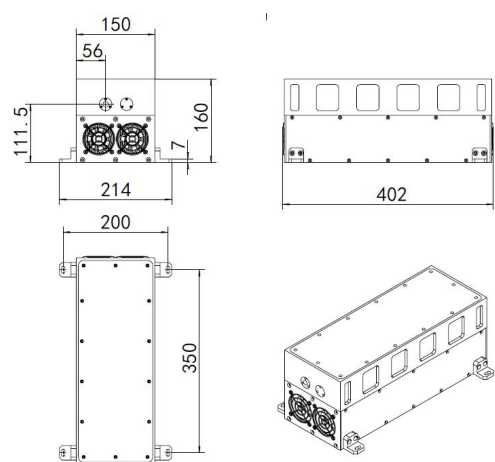
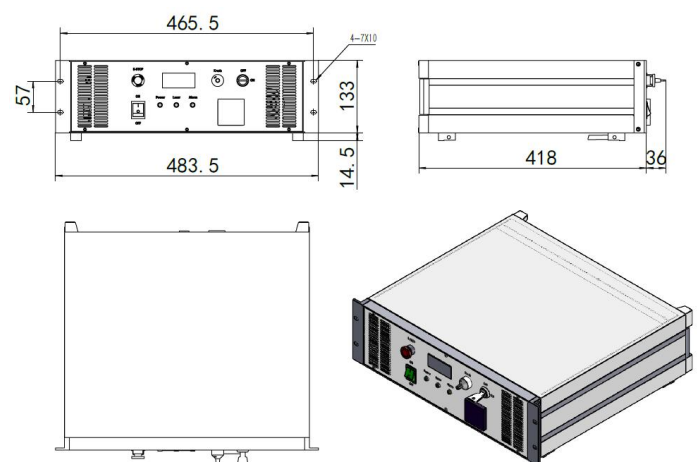
The series of laser provide a CW output power of about max 1000mW and has a wide tuning range. The customer can order any wavelength range in the list. It is widely used in spectroscopy, remote sensing, medical, etc.



SPECIFICATIONS

Wavelength (nm)	2600~2950	2820~3110	3130~3350	3510~3690	3600~3740	3800~3940	3900~4060	4050~4180	4185~4320	4320~4450
Wavelength deviation(nm)	± 20									
Average power (mW)	>1, 100, 200, ..., 1000						1-700	1-600	1-300	1-200
Operating mode	CW									
Power stability (rms, over 4 hours)	<5%, <10%									
Beam divergence, full angle (mrad)	<10									
Beam diameter at the aperture (1/e ² ,mm)	<10									
Beam height from base plate (mm)	111.5									
Warm-up time (minutes)	<10									
Operating temperature (°C)	15~30									
Power supply (90-264VAC)	PSU-AOM(3U)									
Expected lifetime (hours)	10000									
Warranty period	1 year									



TUN-W-2600~4450	PSU-AOM(3U)
 <p>402(L)×214(W)×160(H) mm³,11.5kg</p>	 <p>483.5 (L) ×454 (W) ×147.5 (H) mm³, 8.3 kg</p>