



UV-DP-325 series

LD PUMPED ALL-SOLID-STATE LASER

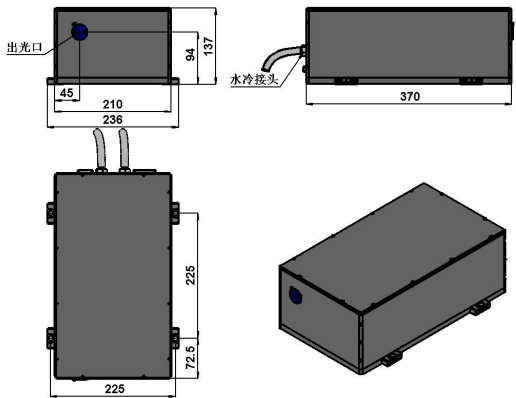
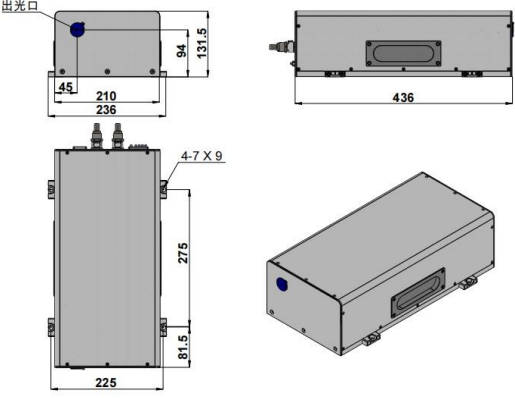

All solid-state CW mode UV laser is made features of ultra compact, easy operating, high power and stability, which is perfect for flow cytometry, spectrum analysis, microscopy, semiconductor inspection, cell sorting, optical instrument, physics experiment, etc.



SPECIFICATIONS

Part number	UV-DP-325-B	UV-DP-325-C
Wavelength (nm)	325±8	
Operating mode	CW	
Output power (mW)	300-1000	1000-2000
Power stability (rms, over 4 hours)	<3%, <2%, <1%	
Transverse mode	Near TEM ₀₀	
Beam diameter at the aperture (1/e ² , mm)	<3.0	
Beam divergence, full angle (mrad)	<5.0	
Warm-up time (minutes)	<10	
Polarization Ratio	>50:1, Vertical (Horizontal Optional)	
Beam height from base plate (mm)	94	
Cooled method	WCH-580 (Water Cooled)	
Operating temperature (°C)	10~35	
Power supply (90-264VAC)	12V DC (Photoelectric integrated)	
Warranty	1 year	



LASER HEAD (UV-DP-325-B)	LASER HEAD (UV-DP-325-C)	Water Chiller(WCH-580)
 <p data-bbox="398 783 613 804">370(L)×236(W)×137(H) mm³</p>	 <p data-bbox="1003 783 1218 804">436(L)×236(W)×131.5(H) mm³</p>	 <p data-bbox="1619 804 1856 825">345 (L) ×248 (W) ×215(H) mm³</p>