



UV-DP-xxx-B series

LD PUMPED ALL-SOLID-STATE LASER

All solid-state CW mode UV laser is made features of ultra compact, easy operating, high power and stability, which is perfect for flow cytometry, spectrum analysis, microscopy, semiconductor inspection, cell sorting, optical instrument, physics experiment, etc.



SPECIFICATIONS

Central wavelength (nm)	261±1	266±5	273±1
Operating mode	CW		
Output power (mW)	1-1000	1-1000	1-150
Power stability (rms, over 4 hours)	<3%, <2%, <1%		
Transverse mode	Near TEM ₀₀		
Beam diameter at the aperture (1/e ² , mm)	<3.0		
Beam divergence, full angle (mrad)	<3		
Warm-up time (minutes)	<10		
Polarization Ratio	>50:1, Horizontal (Vertical Optional)		
Beam height from base plate (mm)	94		
Cooled method (Water Cooled)	WCH-580		
Operating temperature (°C)	10~35		
Power supply	12V DC (Photoelectric integrated)		
Warranty	1 year		

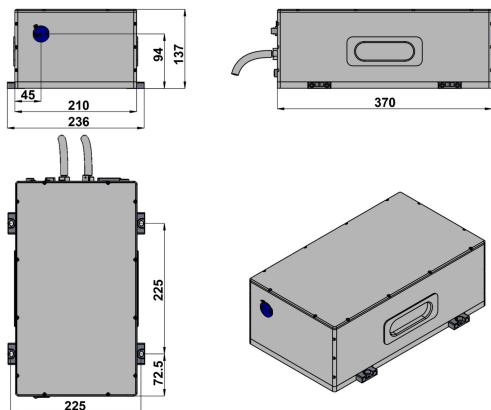


SPECIFICATIONS

Central wavelength (nm)	303	320±1	335±1	340±1	349±1	360±1
Operating mode				CW		
Output power (mW)	10-50	300-2000	200-800	1-100	400-3500	400-3000
Power stability (rms, over 4 hours)	<3%, <2%, <1%					
Transverse mode	Near TEM ₀₀					
Beam diameter at the aperture (1/e ² , mm)	<3.0					
Beam divergence, full angle (mrad)	<5					
Warm-up time (minutes)	<10					
Polarization Ratio	>50:1, Vertical (Horizontal Optional)			>50:1, Horizontal (Vertical Optional)		
Beam height from base plate (mm)	94					
Cooled method (Water Cooled)	WCH-580					
Operating temperature (°C)	10~35					
Power supply	12V DC (Photoelectric integrated)					
Warranty	1 year					



LASER HEAD



370(L)×236(W)×137(H) mm³

Water Chiller(WCH-580)



345 (L) ×248 (W) ×215(H) mm³, 10.5 kg