

YL-S-980/ 808/ 635/ 520/ 455 24W

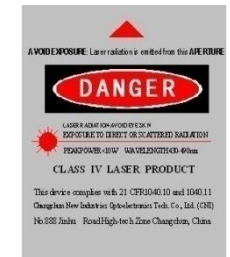
COLOR DIODE LASER

The laser is composed of 980/ 808/ 635/ 520/ 455nm to synthesize a beam of light, which can light up the corresponding laser an needed. It is made feature of ultra compact, long lifetime, and easy operating, which is used in medical care.



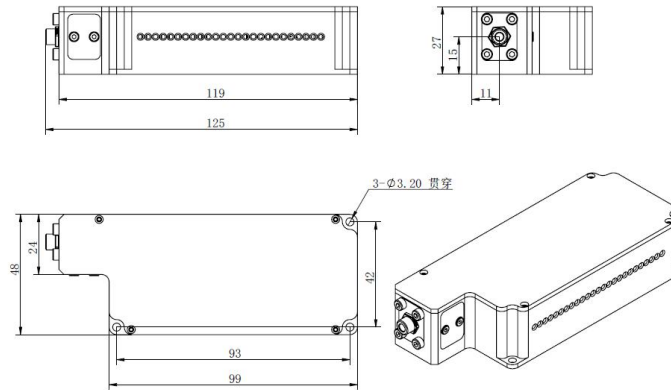
SPECIFICATIONS

Wavelength(nm)	980±5	808±3	635±5	520±5	455±5
Ratio output power (W) after 400um fiber (Ratio power can be customized)	10	8	0.5	1	4
Operating mode	CW				
Fiber Core Diameter (um)	400, 600...				
Fiber Connector	SMA905/ FC				
Numerical Aperture (NA)	0.22				
Fiber length (m)	1 (Fiber length can be customized)				
Power stability(rms, over 4 hours)	<1%				
Warm-up time (minutes)	<5				
Operating temperature (°C)	10-30				
Expected lifetime (hours)	10000				
Warranty	1 year				



NOTE: The laser needs to be used on a heat sink with good heat dissipation.

YL-S-980/ 808/ 635/ 520/ 455



125 (L)*48 (W)*27 (H)mm³