



AO-1064A& 532A

1064 1W/ 1000uJ

532 500mW/ 500uJ

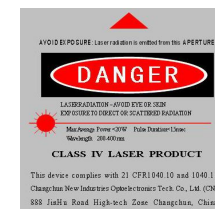
**LD PUMPED ALL-SOLID-STATE
AOM Q-SWITCHED LASER at DAUL
1064NM AND 532NM**

All solid state AOM Q-switched laser at **Daul** wavelengths **1064 nm** and **532nm** has the features of high peak power, high repetition rate, and short pulse duration, which is used in scientific research, biology, instrumentation, 3D marking, laser marking, sub-surface engraving and so on.

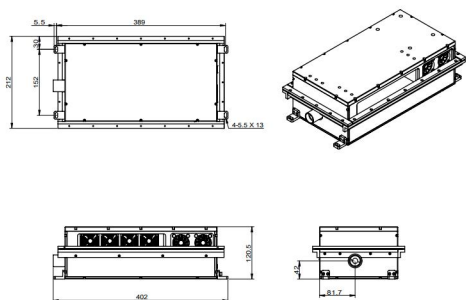


SPECIFICATIONS

Wavelength (nm)	1064±1	532±1
Operating mode	Acousto-Optic Q-switched	
Average power (mW)	1000mW@1kHz	500mW@1kHz
	Average power (W) = Single pulse energy (mJ) * Rep. rate (kHz)	
Single pulse energy (μJ)	>1000uJ @1kHz	>500uJ @1kHz
Rep. rate (kHz)	1~10	
Pulse width (ns)	~12@1kHz	
Transverse mode	TEM ₀₀	
M ² factor	<1.2	
Beam divergence, full angle (mrad)	<3.5	
Beam diameter at the aperture (1/e ² , mm)	~0.8	
Polarization ratio	>100:1, Horizontal	>100:1, Vertical
Beam height from base plate (mm)	42	
Warm-up time (minutes)	<10	
Cooling method	Air Cooled	
Operating temperature (°C)	10~35	
Supply Voltage	DC 24V/13A	

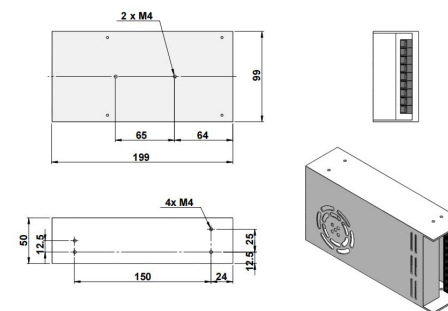


AO-1064A&532A *Integrated electronics*



402(L) × 212 (W) × 120.5 (H) mm³

Power supply 100-240VAC



DC24V 13A; 199(L) × 99 (W) × 50 (H) mm³, 0.9 kg