



AO-TA-532 /1000μJ/2W



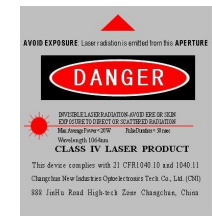
**LD PUMPED ALL-SOLID-STATE
AOM Q-SWITCHED LASER**

All solid state AOM Q-switched laser AO-TA-532 has the features of high peak power, high repetition rate, and short pulse duration, which is widely used in acrylic engraving application

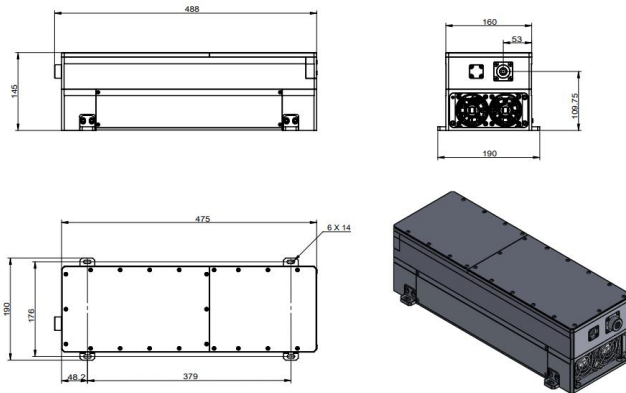


SPECIFICATIONS

Wavelength (nm)	532±1
Operating mode	Acousto-Optic Q-switched
Average power (W)	2W@2kHz Average power (W) = Single pulse energy (mJ) * Rep. rate (kHz)
Single pulse energy (μJ)	>1000μJ @2kHz
Rep. rate (kHz)	2~8
Pulse duration (ns)	~23 @2kHz (optional)
Peak power (kW)	43kW@2kHz
M ² factor	<1.2
Beam divergence, full angle (mrad)	<3.5
Beam diameter at the aperture (1/e ² , mm)	~0.8
Transverse mode	TEM ₀₀
Polarization ratio	>100:1, Vertical
Beam height from base plate (mm)	109.75
Warm-up time (minutes)	<10
Cooled method	Air cooled
Operating temperature (°C)	10~35
Power supply (220/110VAC)	PSU-AOM

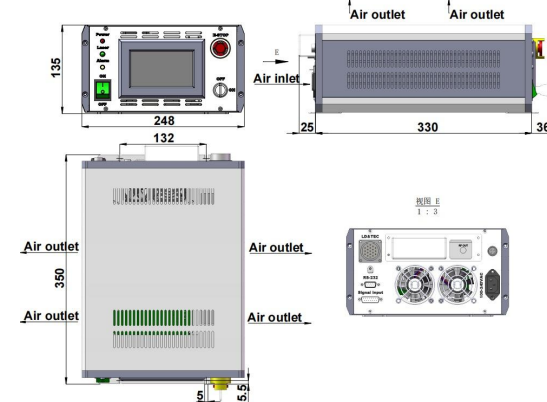


AO-TA-532



488 (L) × 190 (W) × 145 (H) mm³, 16.0kg

PSU-AOM



391 (L) × 248 (W) × 135 (H) mm³, 6.0 kg