

DPS-1064-PIV/1~200mJ

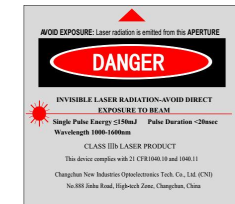
**HIGH ENERGY DIODE
PUMPED ALL-SOLID-STATE
Q-SWITCHED LASER**

High energy diode pumped all solid state Q-switched laser at 1064nm has the features of high single pulse energy, short pulse duration, and high peak power, which is widely used in LIBS, LIF, ICP-MS, LCD repair, scientific research, and so on.

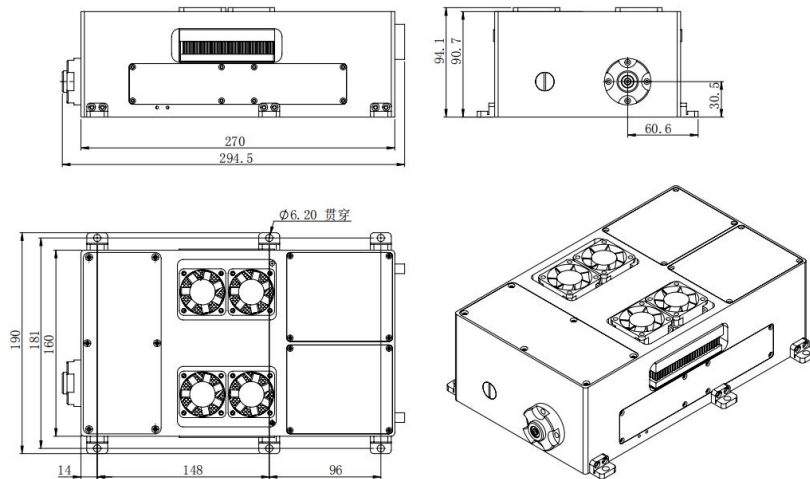


SPECIFICATIONS

Wavelength (nm)	1064±1
Operating mode	Q-switched: EO (Electro-optic)
Single pulse energy (mJ)	100@Single pulse
Pulse duration (ns)	<10
Rep. rate (Hz)	10~20, EXT (adjustable)
Energy stability (std dev/mean)	<3%, <1%
Beam divergence, full angle (mrad)	≤3
Beam diameter (mm)	~5
Warm-up time (minutes)	<15
Beam height from base plate (mm)	30.5
Cooled method	Air cooled
Operating temperature (°C)	-20~60
Power supply	24V DC
Expected lifetime (pulses)	10 ⁹
Warranty period	1 year
Delay between two pulses (ns)	0~50000

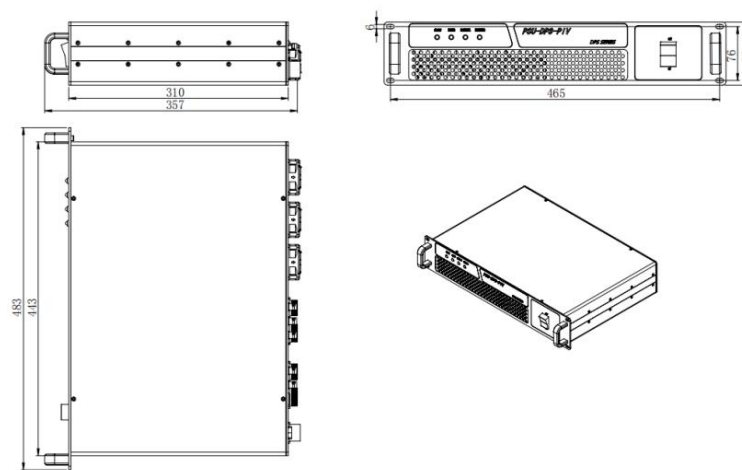


DPS-1064-PIV



294.5(L)×190(W)×94(H) mm³, 11.6 kg

PSU-DPS-PIV(DC 24V)



483(L)×357(W)×89(H) mm³, 8kg