

DPS-1064-P-Mini/6mJ

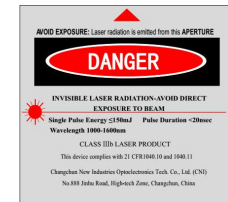
SPECIFICATIONS

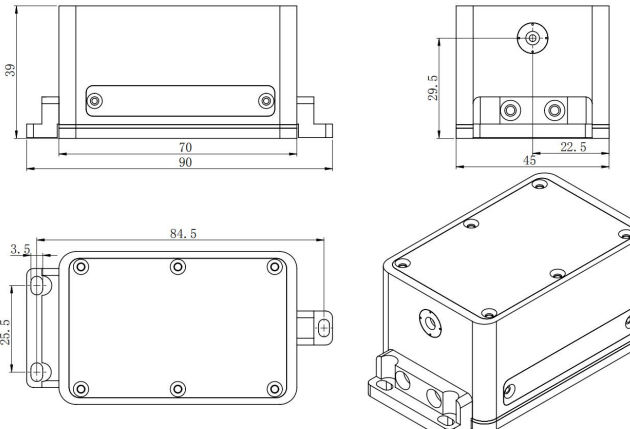
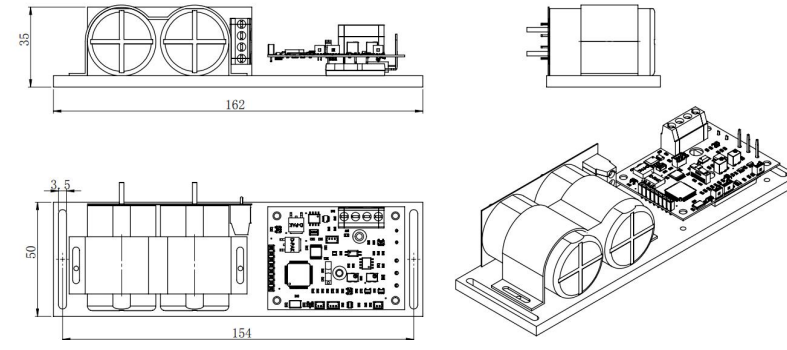
**HIGH ENERGY DIODE
PUMPED ALL-SOLID-STATE
Q-SWITCHED LASER**

High energy diode pumped all solid state Q-switched laser at 1064nm has the features of high single pulse energy, short pulse duration, and high peak power, which is widely used in LIBS, LIF, ICP-MS, LCD repair, scientific research, and so on.



Wavelength (nm)	1064±1	
Operating mode	Q-switched: Passive Modulation	
Single pulse energy (mJ)	6	
Pulse duration (ns)	3±1	
Rep. rate (Hz)	10, EXT (adjustable)	20, EXT (adjustable)
Energy stability (rms)	<3%	
Beam divergence, full angle (mrad)	<3	
Pointing Stability (urad)	<50	
Beam diameter (mm)	~1	
Beam height from base plate (mm)	29.5	
Cooled method	Conduction cooled	
Operating temperature (°C)	15~30	
Power supply (24V DC)	PSU-DPS-P-Mini	
Expected lifetime (pulses)	10 ⁹	
Warranty period	1 year	



DPS-1064-P-Mini	PSU-DPS-P-Mini (OEM,24V)
 <p data-bbox="560 1364 828 1396">70(L)×45(W)×39(H) mm³, 0.485kg</p>	 <p data-bbox="1411 1364 1702 1396">162 (L) ×50(W) ×35(H) mm³, 0.25 kg</p>