

EO-266-P-Subnano/1~110uJ

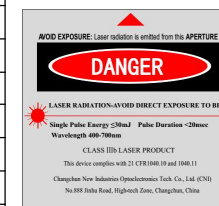
**HIGH ENERGY DIODE  
PUMPED ALL-SOLID-STATE  
Q-SWITCHED LASER**

High energy diode pumped all solid state Q-switched laser at 266nm has the features of high single pulse energy, short pulse duration, and high peak power, which is widely used in Lidar, biomedicine, environmental monitoring, scientific research, and so on.

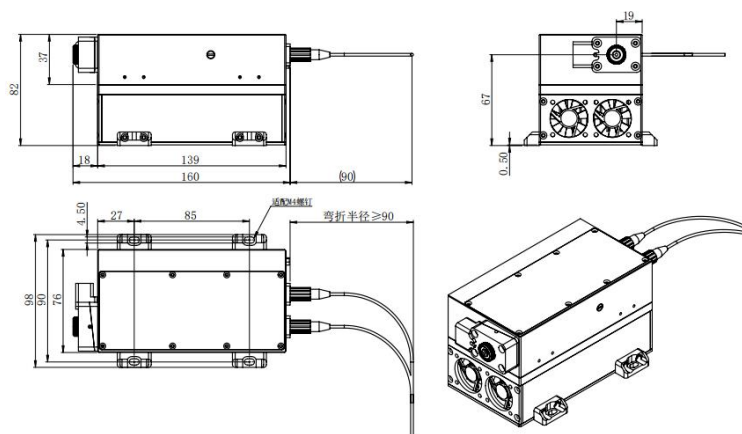


SPECIFICATIONS

Wavelength (nm)	266±1
Operating mode	Q-switched: PM (Passive Modulation)
Single pulse energy (uJ)	110
Pulse duration (ns)	<1
Rep. rate (kHz)	500Hz, 1kHz, 2kHz optional, EXT
Energy stability (rms)	<5%, <4%
Transverse mode	TEM <sub>00</sub>
M <sup>2</sup>	≤1.5
Beam divergence, full angle (mrad)	<3
Beam diameter (mm)	~3
Warm-up time (minutes)	<15
Beam height from base plate (mm)	67
Cooled method	Air cooled
Operating temperature (°C)	15~30
Power supply (24V DC)	PSU-DPS-Subnano
Warranty period	1 year

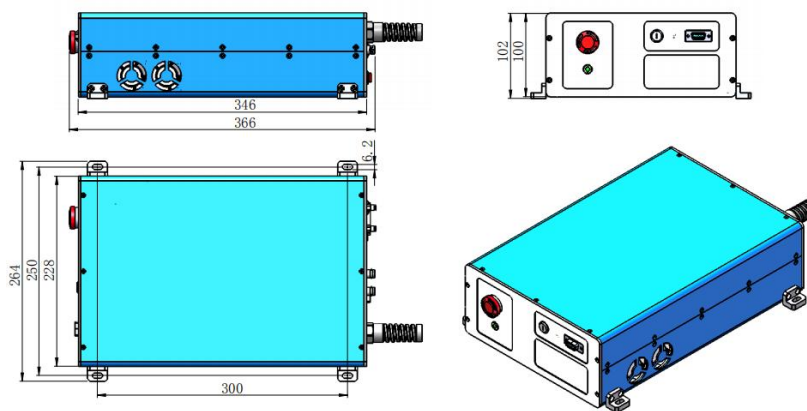


EO-266-P-Subnano



160(L)×76(W)×82(H)mm<sup>3</sup> 3kg

PSU-EO-P-Subnano



366(L)×264(W)×102 (H)mm<sup>3</sup> 6.5kg