



Lasers for Brillouin scattering

SLM 532nm Laser for Brillouin Scattering

All solid state single longitudinal mode laser is made features of ultra compact, long lifetime, low cost and easy operating, which have high spectral purity at ± 1 GHz from the main peak , and perfectly suit for Brillouin Scattering.

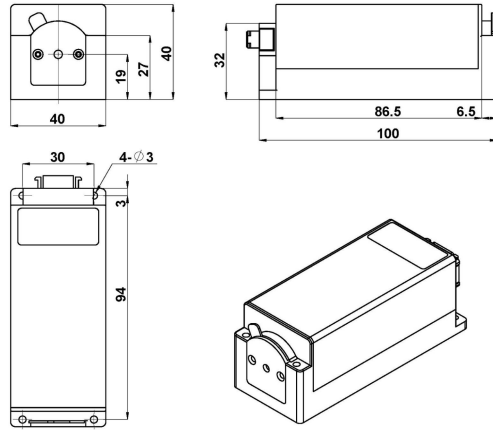


SPECIFICATIONS

Model	MSL-S-532-Brillouin
Wavelength (nm)	532.1 \pm 0.3
Output power (mW)	1- 150
Power stability (rms, over 4 hours)	<0.5%
Transverse mode	TEM ₀₀
Longitudinal mode	Single
Operating mode	CW
Spectral line width (MHz)	<1
Frequency shift over 8 hours (pm)	<2
Spectral purity @ ± 1 GHz from the main peak	>60dB
M ² factor	<1.1
Beam diameter at the aperture(1/e ² ,mm)	<0.8
Beam divergence, full angle (mrad)	<1.2
Noise of amplitude (rms, 1Hz~20MHz)	<0.2%
Polarization Ratio	>100:1, Horizontal (Vertical Optional)
Pointing stability after warm-up (mrad)	<0.05
Warm-up time (minutes)	<5
Beam height from base plate (mm)	19
Power Supply	PSU-A-F
Operating temperature (°C)	15~35
Storage temperature (°C)	- 10~50
Expected lifetime (hours)	10000
Warranty	1 year

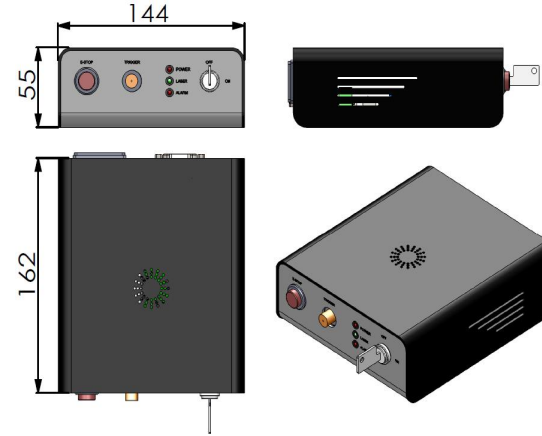
Note: The laser head needs to be used on a heat sink with good heat dissipation.

LASER HEAD (MSL-S-532-Brillouin)



100 (L) × 40 (W) × 40(H) mm³, 0.36kg

POWER SUPPLY (PSU-A-F)



162(L) × 144(W) × 55(H) mm³, 0.5kg