



MIL-V-3390/1-250mW

SPECIFICATIONS

Wavelength (nm)	3390±5
Operating mode	CW
Output power (mW) <sup>1</sup>	1-250
Power stability (rms, 4 hours±3°C)	<3%, <2%
Beam divergence, full angle (mrad)	<5
Beam diameter at the aperture (1/e <sup>2</sup> ,mm)	<6
Beam height from base plate (mm)	82
Warm-up time (minutes)	<10
Cooled method	Air Cooled
Operating temperature (°C)	15-35
Power supply (100-240VAC)	RAD1PS
Expected lifetime (hours)	>10000

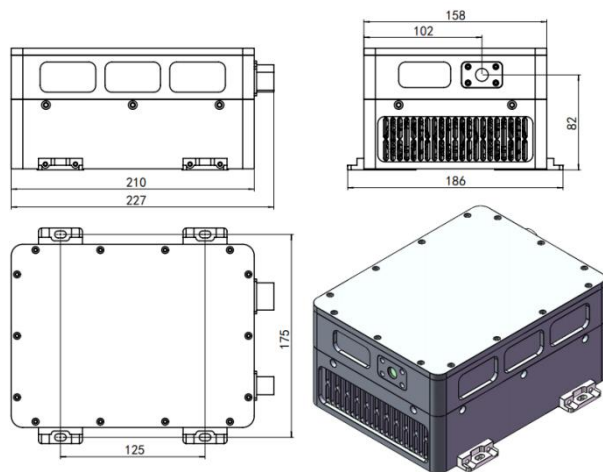


**LD PUMPED ALL-SOLID-STATE  
Infrared LASER AT 3390nm**

The series of laser provide a CW output power of about max 250mW. The customer can order any wavelength range in the list. It is widely used in remote sensing, communication, spectrum analysis, etc.

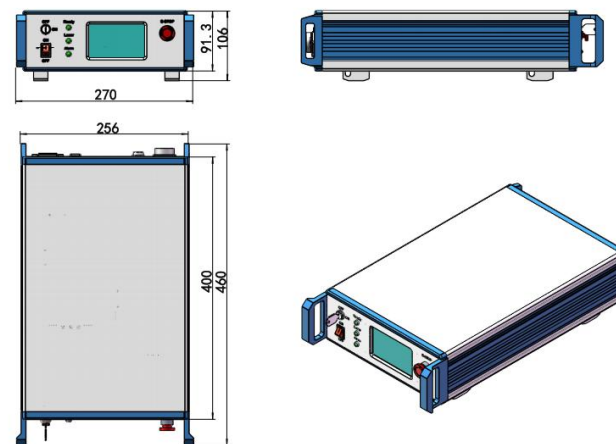


LASER HEAD



229(L)×186(W)×105(H) mm<sup>3</sup>, 5.5kg

POWER SUPPLY



460 (L) ×270(W) ×106(H) mm<sup>3</sup>, 7 kg

<sup>1</sup> Any power level can be selected in this range.