



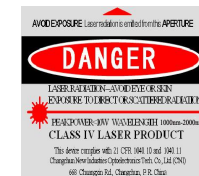
MIL-W-1500~1700/1~3000mW

SPECIFICATIONS

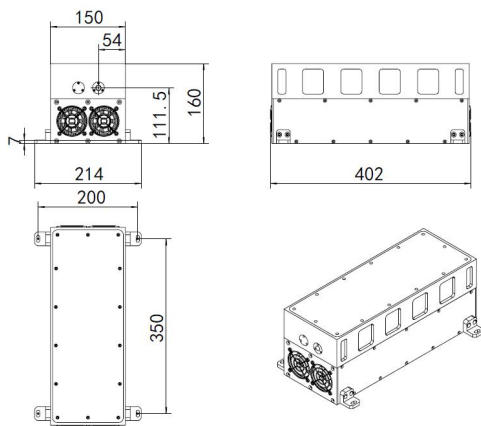
**LD PUMPED ALL-SOLID-STATE  
Infrared LASER AT 1500~1700nm**

The series of laser provide a CW output power of about max 3000mW. The customer can order any wavelength range in the list. It is widely used in remote sensing, communication, spectrum analysis, etc.

Wavelength (nm)	1500	1550	1573	1600	1650	1680	1700
Wavelength deviation (nm)	±10						
Operating mode	CW						
Output power (mW)	> 100, 200, ... 2000					100- 3000	
Power stability (rms, over 4 hours)	<5%, <10%						
Beam divergence, full angle (mrad)	<8						
Beam diameter at the aperture (1/e <sup>2</sup> ,mm)	<7						
Beam height from base plate (mm)	111.5						
Warm-up time (minutes)	<10						
Operating temperature (°C)	15~30						
Power supply (90-264VAC)	PSU-AOM(3U)						
Expected lifetime (hours)	10000						
Warranty period	1 year						

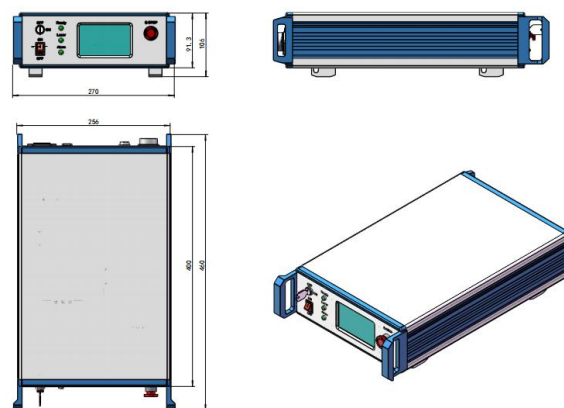


MIL-W-1500~1700



402 (L)×214 (W)×160 (H) mm<sup>3</sup>, 10 kg

PSU-AOM



460 (L)×270 (W)×106 (H) mm<sup>3</sup>, 6.5 kg