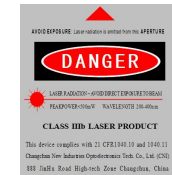




MPL-S-1064-HF series

LD PUMPED ALL-SOLID-STATE Q-SWITCHED LASER

All solid state Q-switched laser at 1064nm has the features of high repetition rate and short pulse duration, which is widely used in scientific research, Material Processing, Photoacoustic Imaging, Fluorescence Lifetime Imaging, LIDAR and LIBS (Laser Induced Breakdown Spectroscopy) etc.



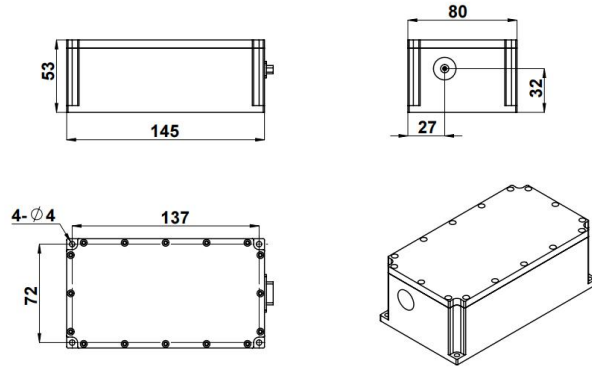
SPECIFICATIONS

Model	MPL-S-1064-HF
Wavelength (nm)	1064±1
Operating mode	Q-switched pulsed laser
Max average power (mW) <sup>a,b</sup>	150~250
Single pulse energy (μJ)	~2
Pulse duration (ps)	~500
Peak power (kW)	~4
Rep. rate (kHz) (optional) <sup>b</sup>	80~120
Ave power stability (over 4 hours)	<3%, <1%
Transverse mode	TEM <sub>00</sub>
M <sup>2</sup> factor	<1.5
Beam diameter at the aperture (mm)	~1
Beam divergence, full angle (mrad)	<1.5
Polarization ratio	>100:1, Vertical (Horizontal Optional)
Warm-up time (minutes)	<5
Beam height from base plate (mm)	32
Operating temperature (°C)	15~30
Power supply (90-264VAC)	PSU-SR
Expected lifetime (hours)	10000
Warranty	1 year

a: Average power (mW)= Single pulse energy (μJ)\* Rep. rate(kHz)

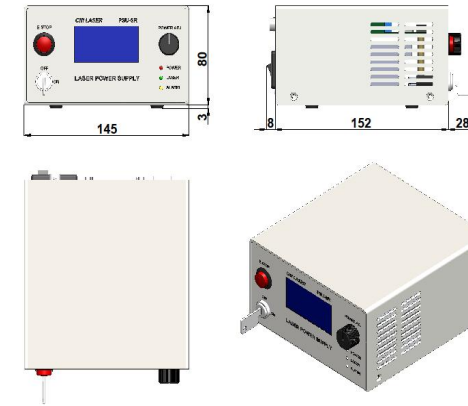
b: This specification varies within this range from one device to another.

LASER HEAD



145(L)×80(W)×53(H) mm<sup>3</sup>, 1.15kg

POWER SUPPLY



188(L)×145(W)×83(H) mm<sup>3</sup>, 1.2kg